



Portable Furniture

Robust aluminium frames with a rigid, white, powder coated top and internal shelves

Perfectly simple

Folding Counters & Showcases



Perfectly simple

A stock range of sizes and accessories – sliding lockable doors – base shelves – header signs - wheels – transport bags and cases. These counters work as an individual unit or as a group.



Contents

Range 1	4-5
Range 2	6-7
Range 3	8-9
Range 4	10-11
Range 5	12
CGIs & Specifications	13-19

SHOWCASES



ACCESSORIES



RANGE

1

Folding Counters

CDC-1-H



CDC-2-H



CDC6-H



Sliding Lockable Doors



Transport Case



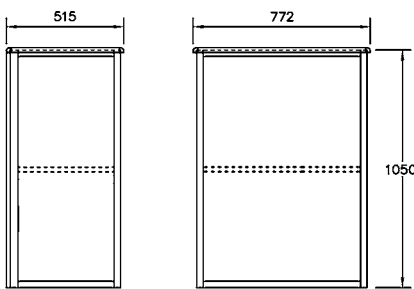
Nylon Bag



Folding Counters

Specification

CDC-1-H



Folding counter 772 x 515 x 1050mm

Folded in a carton 1060 x 800 x 140mm (11kg)

3mm panel set 1 x 697 x 997 + 2 x 432 x 997mm (2.5kg)

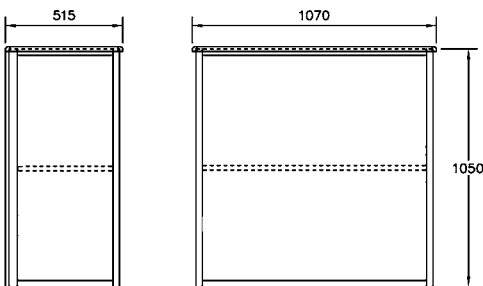
Sliding door set in a carton 1100 x 750 x 60mm (6kg)

Accessories: Nylon bag

Transport Case†: 1190 x 830 x 240mm* (13kg*)

Bottom Shelf - Base panel (2kg)

CDC-2-H



Folding counter 1070 x 515 x 1050mm

Folded in a carton 1100 x 1060 x 150mm (13kg)

3mm panel set 1 x 995 x 997 + 2 x 432 x 997mm (3kg)

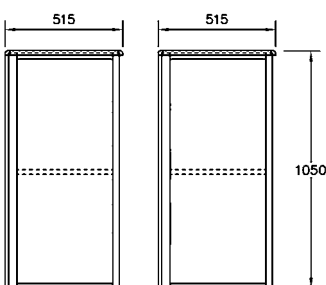
Sliding door set in a carton 1100 x 750 x 60mm (8kg)

Accessories: Nylon bag

Transport Case†: 1200 x 1300 x 240mm* (15kg*)

Bottom Shelf - Base panel (3kg)

CDC-6-H



Folding counter 515 x 515 x 1050mm

Folded in a carton 1070 x 820 x 230mm (8kg)

Panel set - 1 x 2mm 709 x 997 2 x 3mm 416 x 997 (2kg)

Accessories: Nylon bag

Transport Case: 1160 x 980 x 300mm* (14.5kg*)

*Transport case depth increases from 240 to 300mm when sliding doors are included. *Approx size and weight.

RANGE

2

Folding Counters

CDC-1-L



CDC-2-L



CDC-6-L



CDC-3



Sliding Lockable Doors

Transport Case

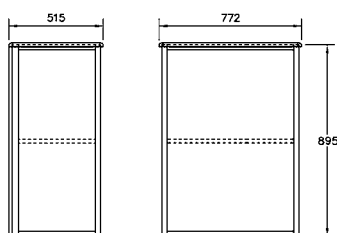
Nylon Bag



Folding Counters

Specification

CDC-1-L



Folding counter 772 x 515 x 895mm (9kg)

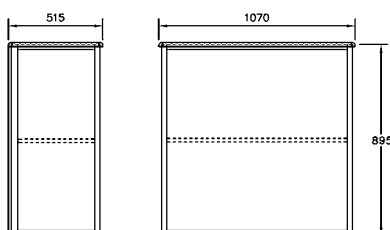
Folded in a carton 1060 x 800 x 140mm (11kg)

3mm panel set 1 x 697 x 842 + 2 x 432 x 842mm (2kg)

Sliding door set in a carton 1100 x 750 x 60mm (5kg)

Accessories: Nylon bag
Transport Case†: 1190 x 830 x 240*mm (12kg*)
Bottom Shelf - Base panel (2kg)

CDC-2-L



Folding counter 1070 x 515 x 895mm (11kg)

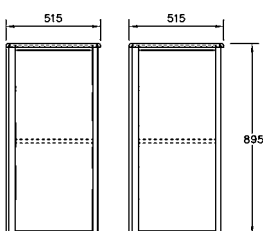
Folded in a carton 1100 x 1060 x 150mm (13.5kg)

3mm panel set 1 x 995 x 842 + 2 x 432 x 842mm (3kg)

Sliding door set in a carton 1100 x 750 x 60mm (7kg)

Accessories: Nylon bag
Transport Case†: 1200 x 1300 x 240mm* (15kg*)
Bottom Shelf - Base panel (3kg)

CDC-6-L



Folding counter 515 x 515 x 895mm (6kg)

Folded in a carton 1070 x 820 x 230mm (8kg)

2 + 3mm panel set - 2mm: 1 x 709 x 842 - 3mm: 2 x 416 x 842mm (2kg)

Accessories: Nylon bag (2kg)
Transport Case†: 1160 x 980 x 300mm* (14.5kg*)

CDC-3



Folding counter 1070 x 515 x 895mm + top box = 1103mm (15kg)

Folded in a carton 1100 x 1100 x 150mm (17kg)

3mm panel set 1 x 995 x 842 + 2 x 432 x 842mm
and 1 x 985 x 157 + 2 x 205 x 157mm (4kg)

Sliding door set in a carton 1100 x 750 x 60mm (7kg)

Accessories: Nylon bag (2kg)
Transport Case†: 1200 x 1300 x 240mm* (15kg*)
Bottom Shelf - Base panel (3kg)

†Transport case depth increases from 240 to 300mm when sliding doors are included. *Approx size and weight.

RANGE

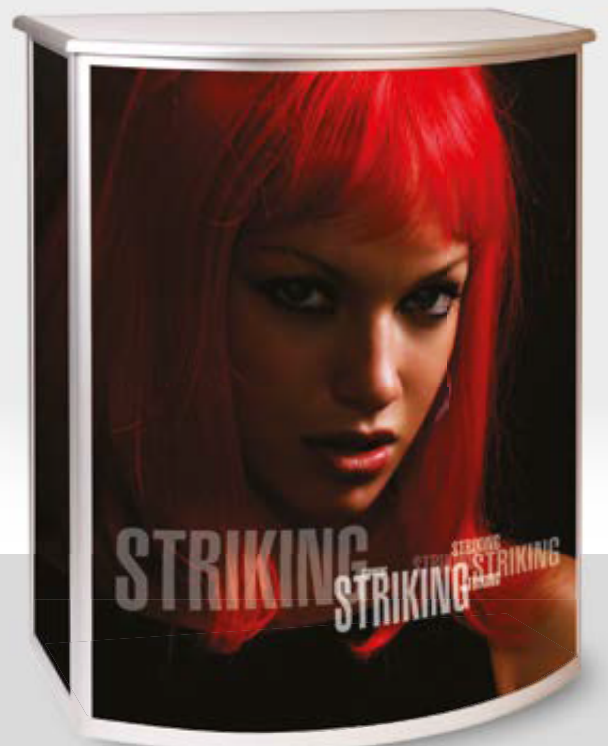
3

Folding Counters

CDC-4-L or H



CDC-9-L or H



Sliding Lockable Doors



Transport Case



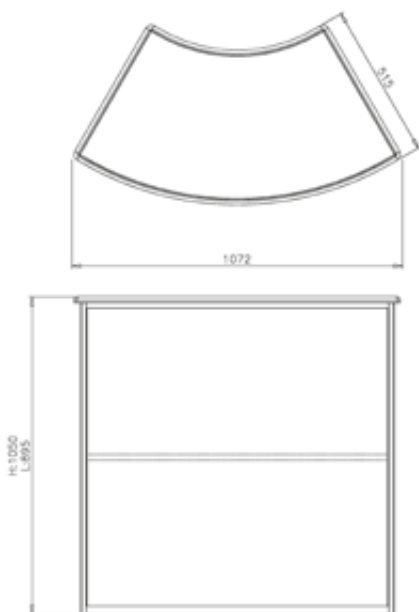
Nylon Bag



Folding Counters

Specification

CDC-4



CDC-4-L

Folding counter, curved 1072 x 515 x 895mm (10kg)

Folded in a carton 1060 x 1060 x 190mm (12kg)

2 + 3mm panel set 2mm: 1 x 1053 x 842mm

3mm: 2 x 432 x 842mm (3kg)

CDC-4-H

Folding counter, curved 1072 x 515 x 1050mm (11kg)

Folded in a carton 1060 x 1060 x 190mm (15kg)

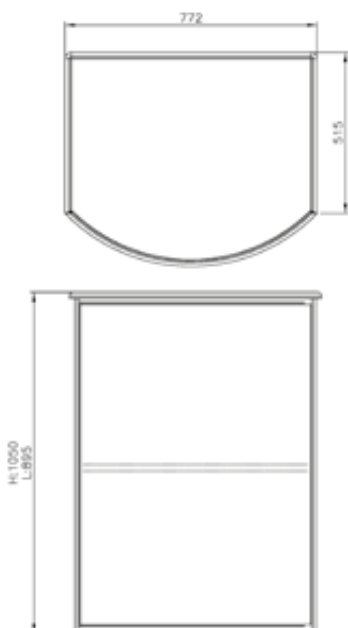
2 + 3mm panel set 2mm: 1 x 1053 x 997mm

3mm: 2 x 432 x 997mm (3kg)

PC-4 Accessories: Nylon bag

Transport Case†: 1280 x 1330 x 290mm* (16kg*)

CDC-9



CDC-9-L

Folding counter, curved front 772 x 658 x 895mm (11kg)

Folded in a carton 1060 x 840 x 230mm (13kg)

3mm panel set 1 x 788 x 842mm + 2 x 397 x 842 (2kg)

Sliding door set in a carton 1100 x 750 x 60 (3kg)

CDC-9-H

Folding counter, curved front 772 x 658 x 1050mm (10.5kg)

Folded in a carton 1060 x 840 x 230mm (13kg)

3mm panel set 1 x 778 x 997mm + 2 x 397 x 998 (2kg)

Sliding door set in a carton 1100 x 750 x 60 (3kg)

PC-9 Accessories: Nylon bag

Transport Case: 1160 x 980 x 300mm* (14.5kg*)

Bottom Shelf - Base panel (2kg)

†Transport case depth increases from 240 to 300mm when sliding doors are included. *Approx size and weight.

RANGE

4

Folding Counters

CDC-12-H-UK



CDC-12-B-UK



CDC-12-C-UK



890 & 890P



Easy construction

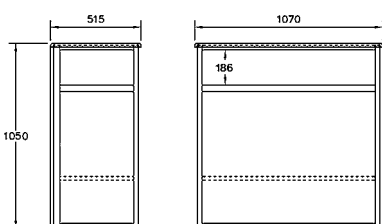
Transport Case



Folding Counters

Specification

CDC-12-H-UK



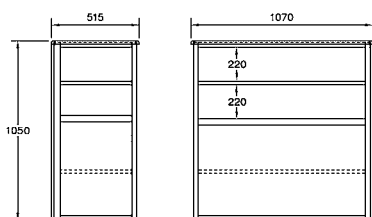
Folding showcase 1070 x 515 x 1050mm (32kg*) c/w:

- Acrylic top
- Display shelf
- Aluminium storage shelf
- Aluminium bottom shelf
- Locking sliding doors
- Fitted with 3mm clear acrylic & white foam panels

3mm panel set size:

- Acrylic: 1 x 996 x 200 + 2 x 433 x 200mm
- White foam: 1 x 996 x 778 + 2 x 433 x 788mm

CDC-12-B-UK



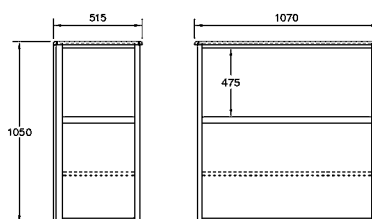
Folding showcase 1070 x 515 x 1050mm (40kg*) c/w:

- Acrylic top
- Acrylic display shelf
- Display shelf
- Storage shelf
- Bottom shelf
- Locking sliding doors
- Fitted with 3mm clear acrylic & white foam panels

3mm panel set size:

- Acrylic: 1 x 996 x 489 + 4 x 433 x 234mm
- White foam: 1 x 996 x 489 + 2 x 433 x 489mm

CDC-12-C-UK



Folding showcase 1070 x 515 x 1050mm (38kg*) c/w:

- Acrylic top
- Display shelf
- Aluminium storage shelf
- Aluminium bottom shelf
- Locking sliding doors
- Fitted with 3mm clear acrylic & white foam panels

3mm panel set size:

- Acrylic: 1 x 996 x 489 + 2 x 433 x 489mm
- White foam: 1 x 996 x 489 + 2 x 433 x 489mm

890 half glazed & 890-P fully glazed

Folding tower 468 x 468 x 1980mm (30kg*) c/w:

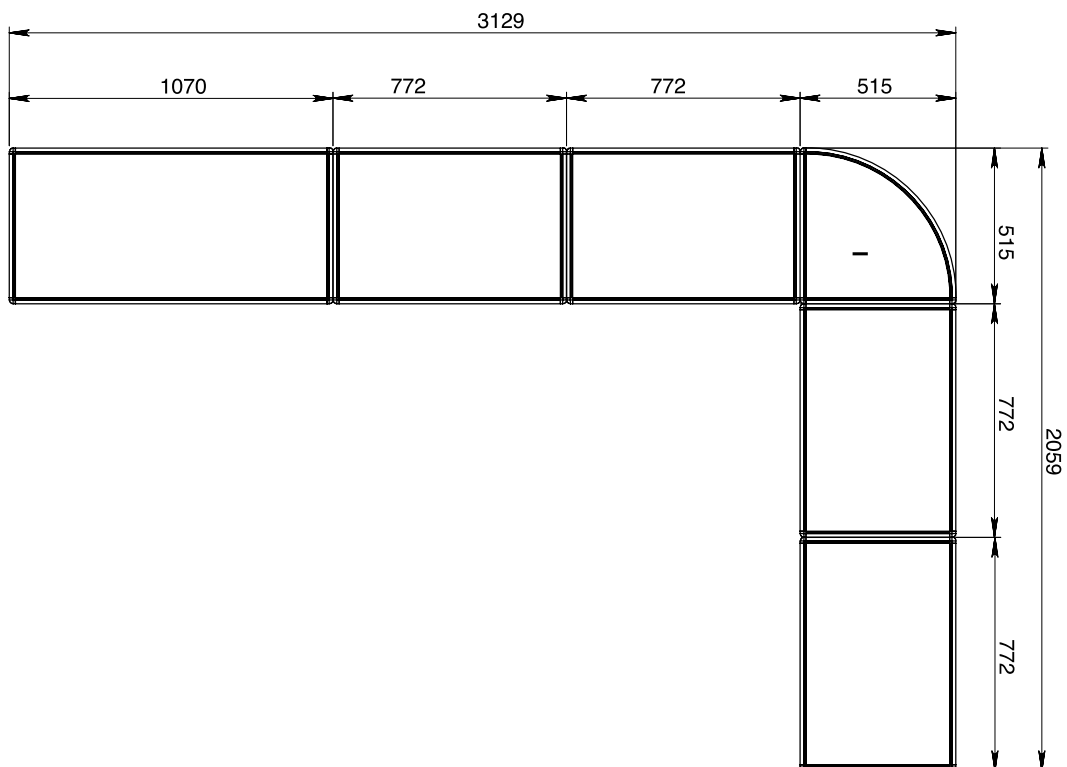
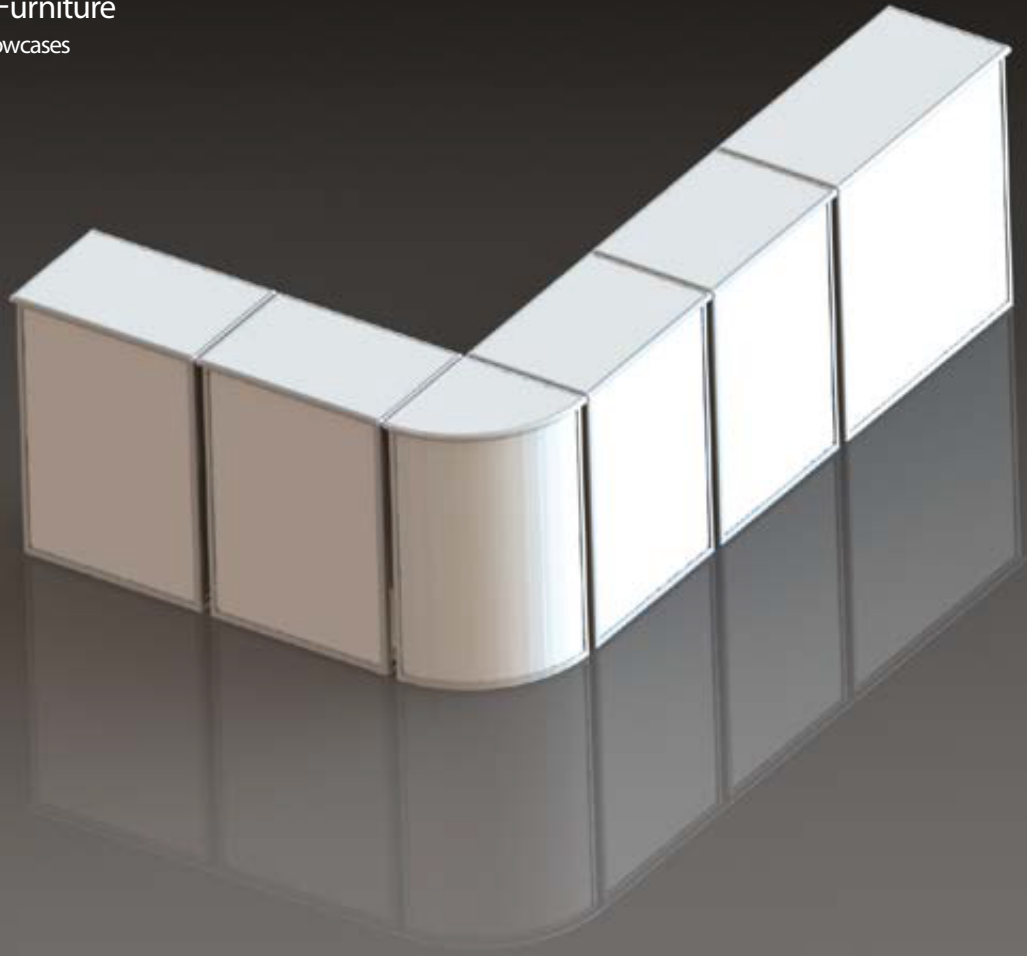
- 5mm clear acrylic shelves
- Locking sliding doors
- Clear acrylic & white foam panels
- Down light

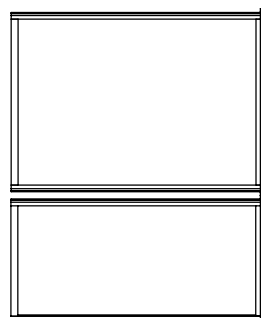
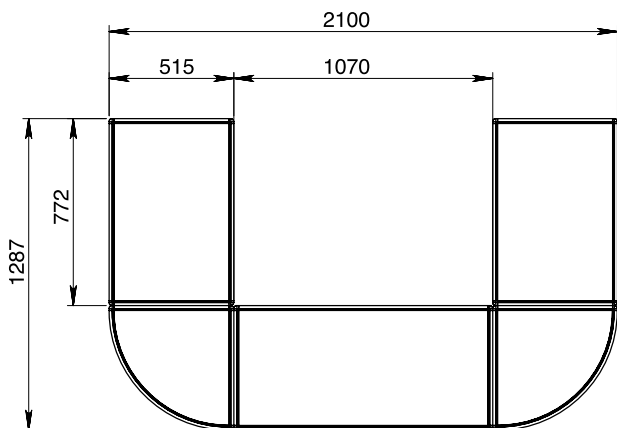
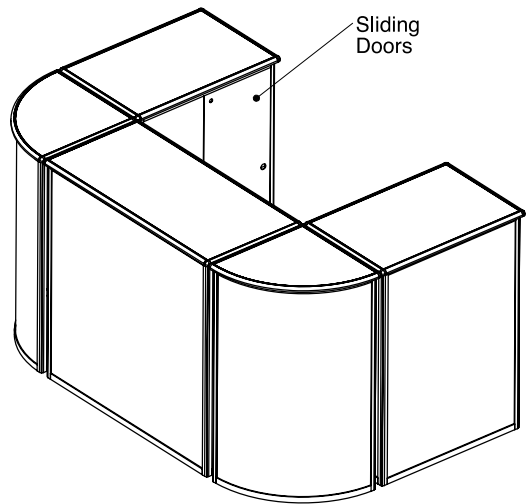
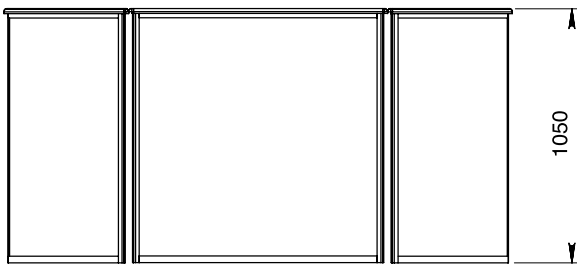
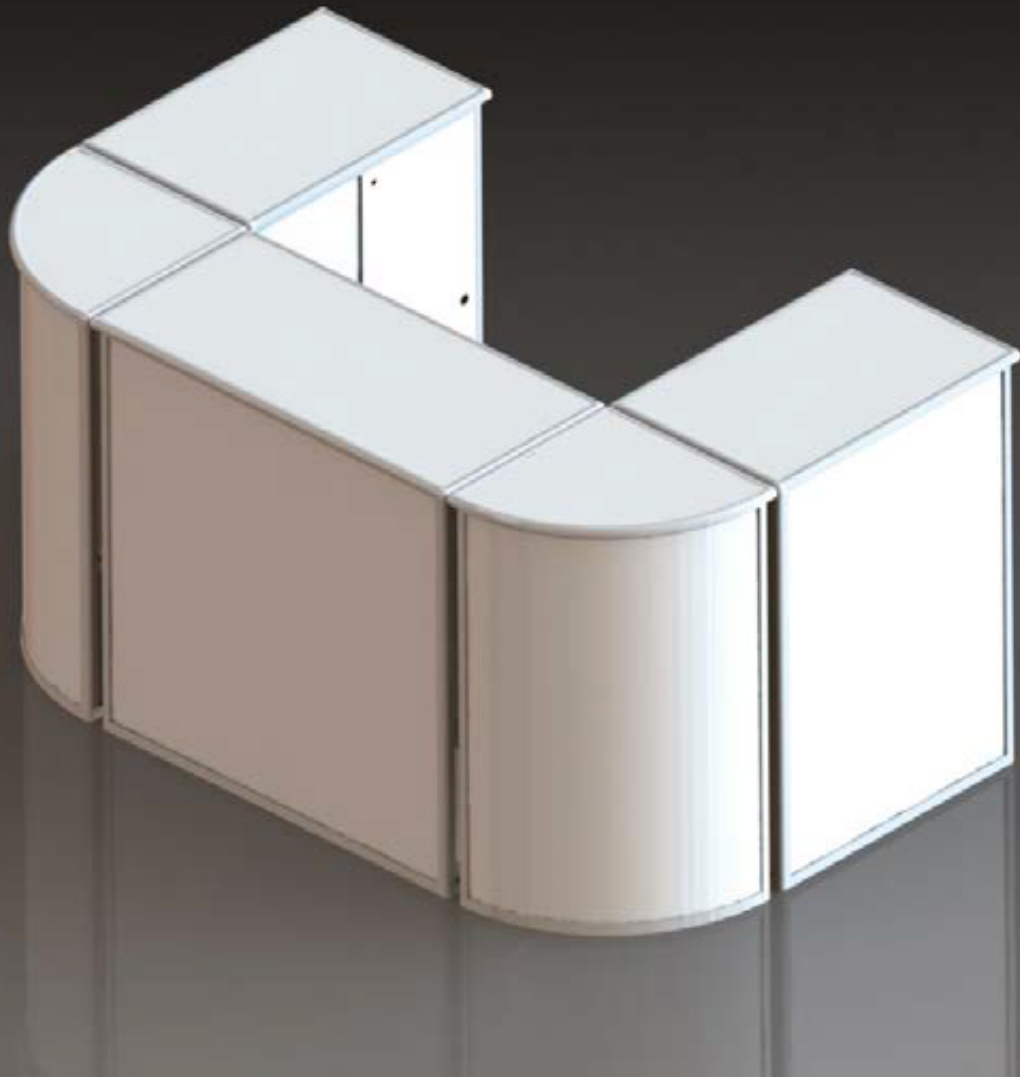
Transport cases

PC-12-TRP and 890-TRP: 1200 x 1300 x 240mm (15kg)*

Perfectly flexible

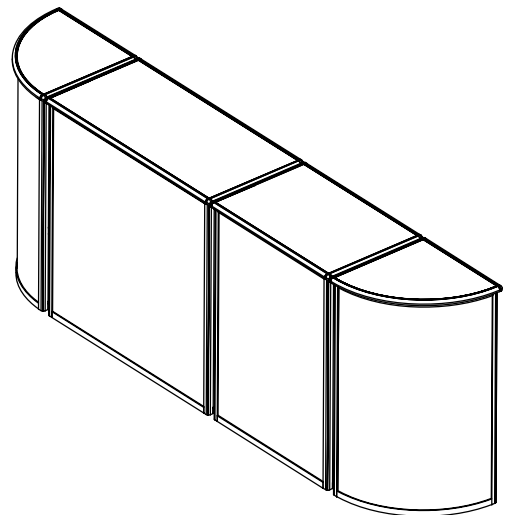
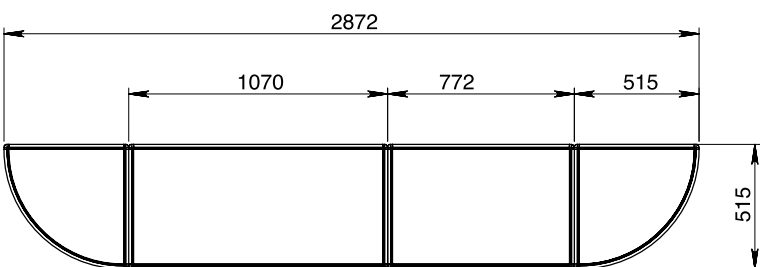
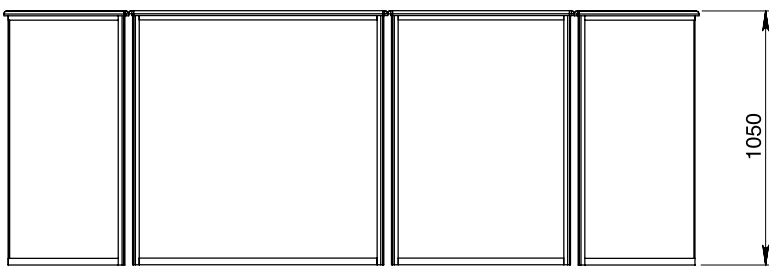
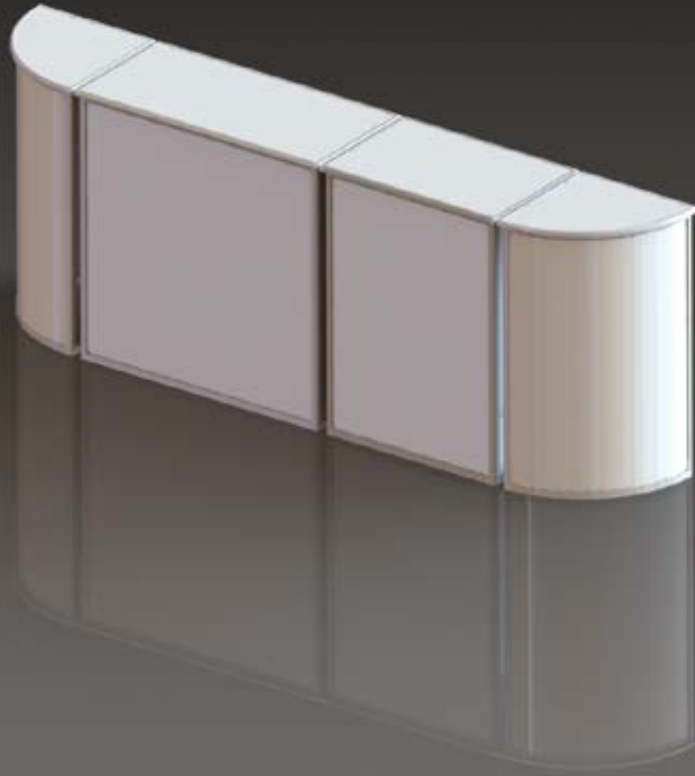
Modular Portable Furniture
Folding Counters and Showcases

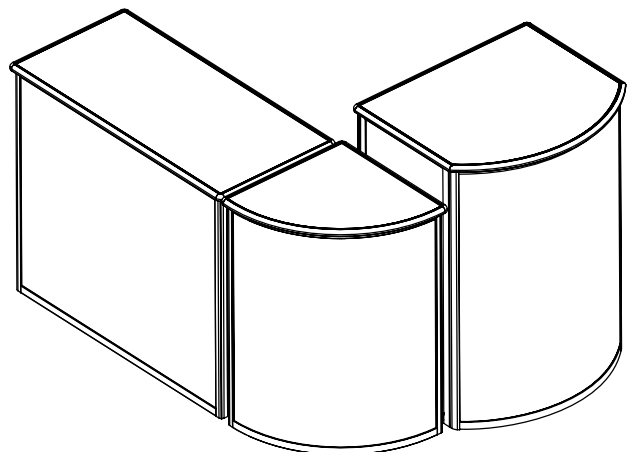
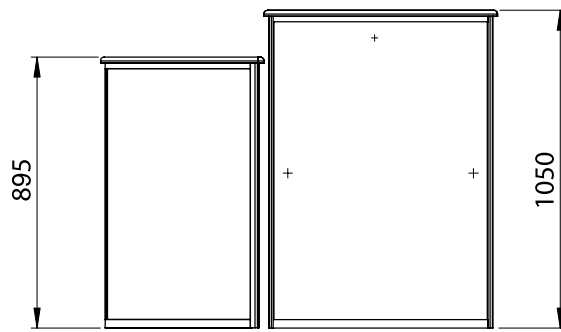
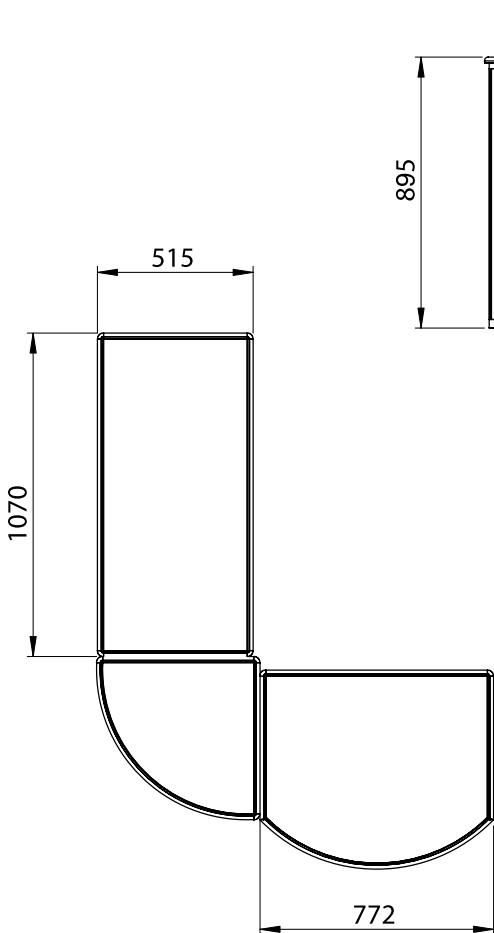
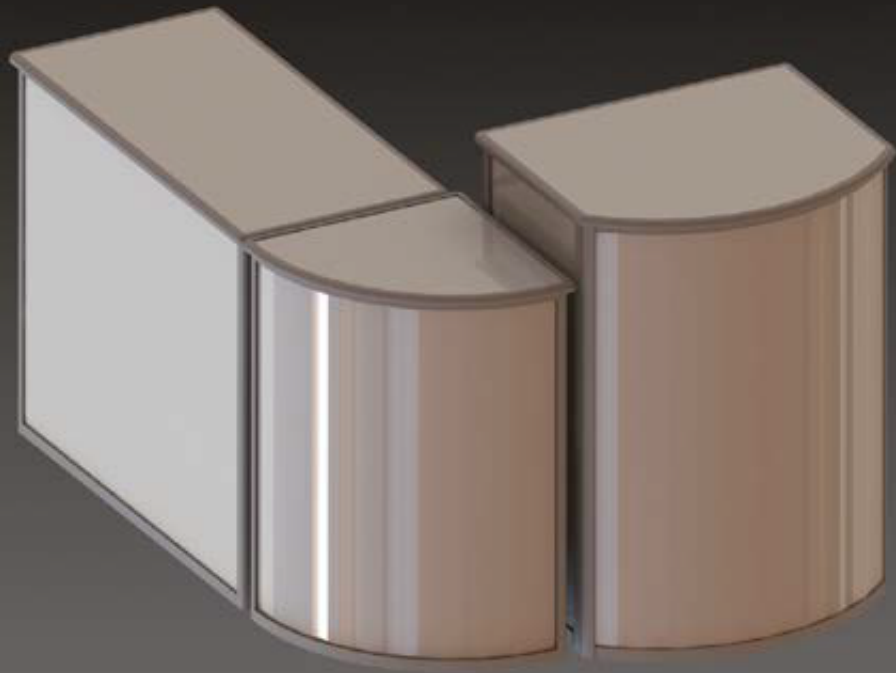




Perfectly flexible

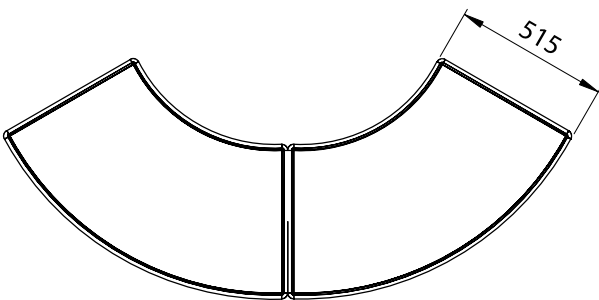
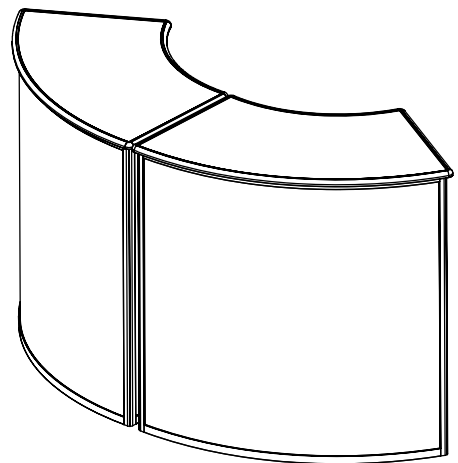
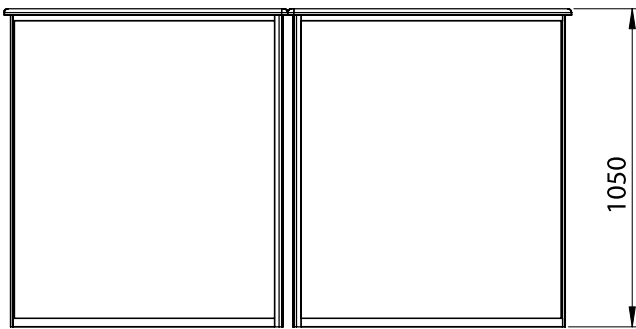
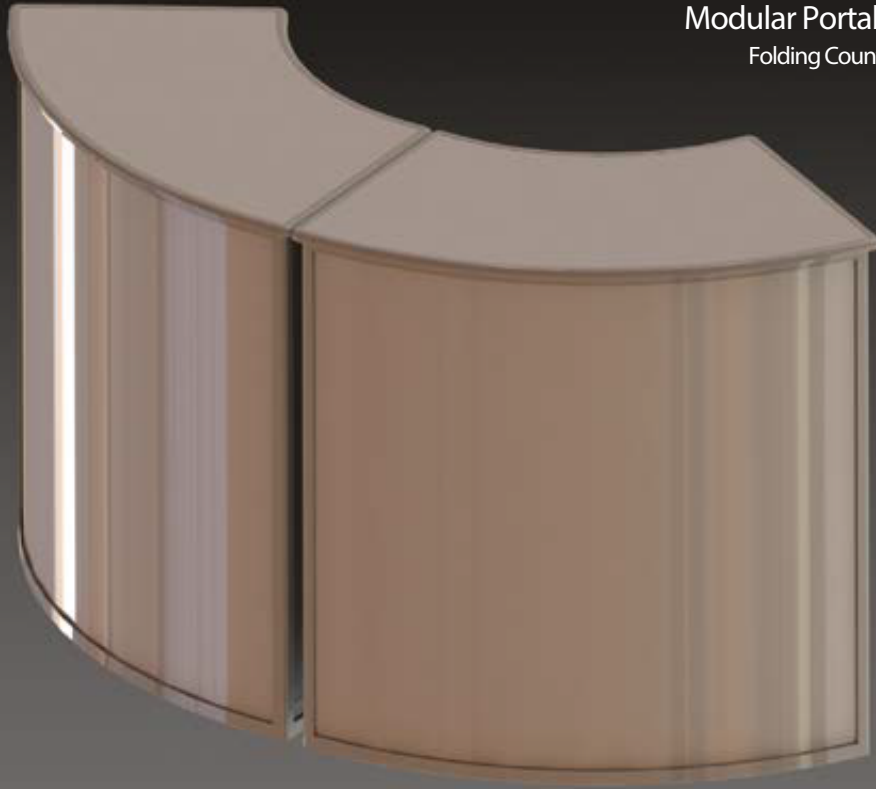
Modular Portable Furniture
Folding Counters and Showcases

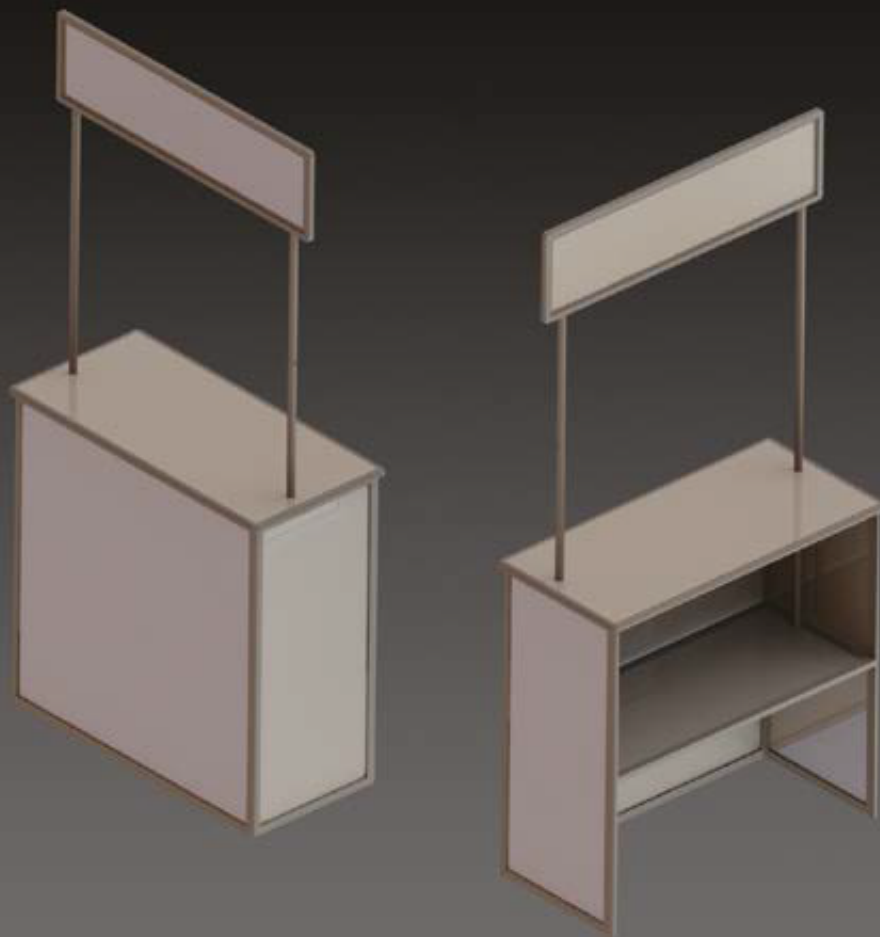




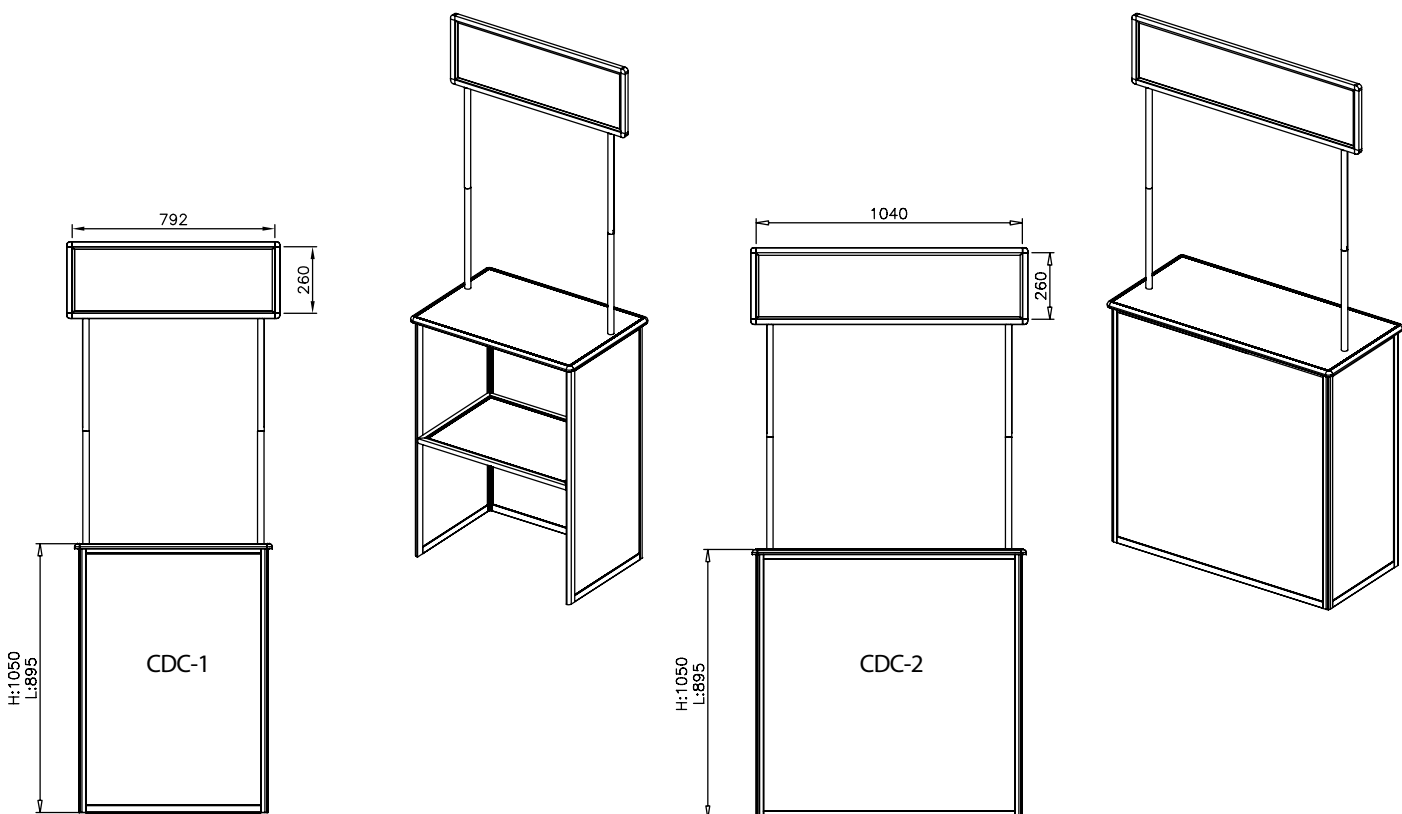
Perfectly flexible

Modular Portable Furniture
Folding Counters and Showcases





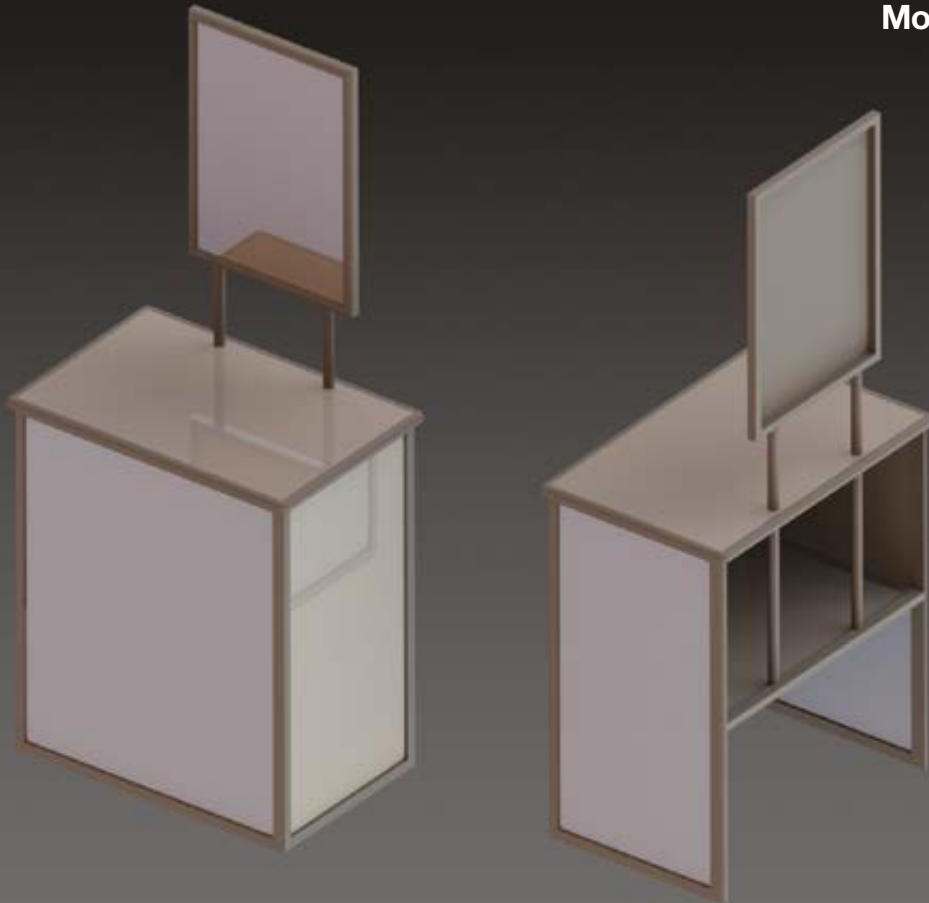
Folding counters including Top Signs



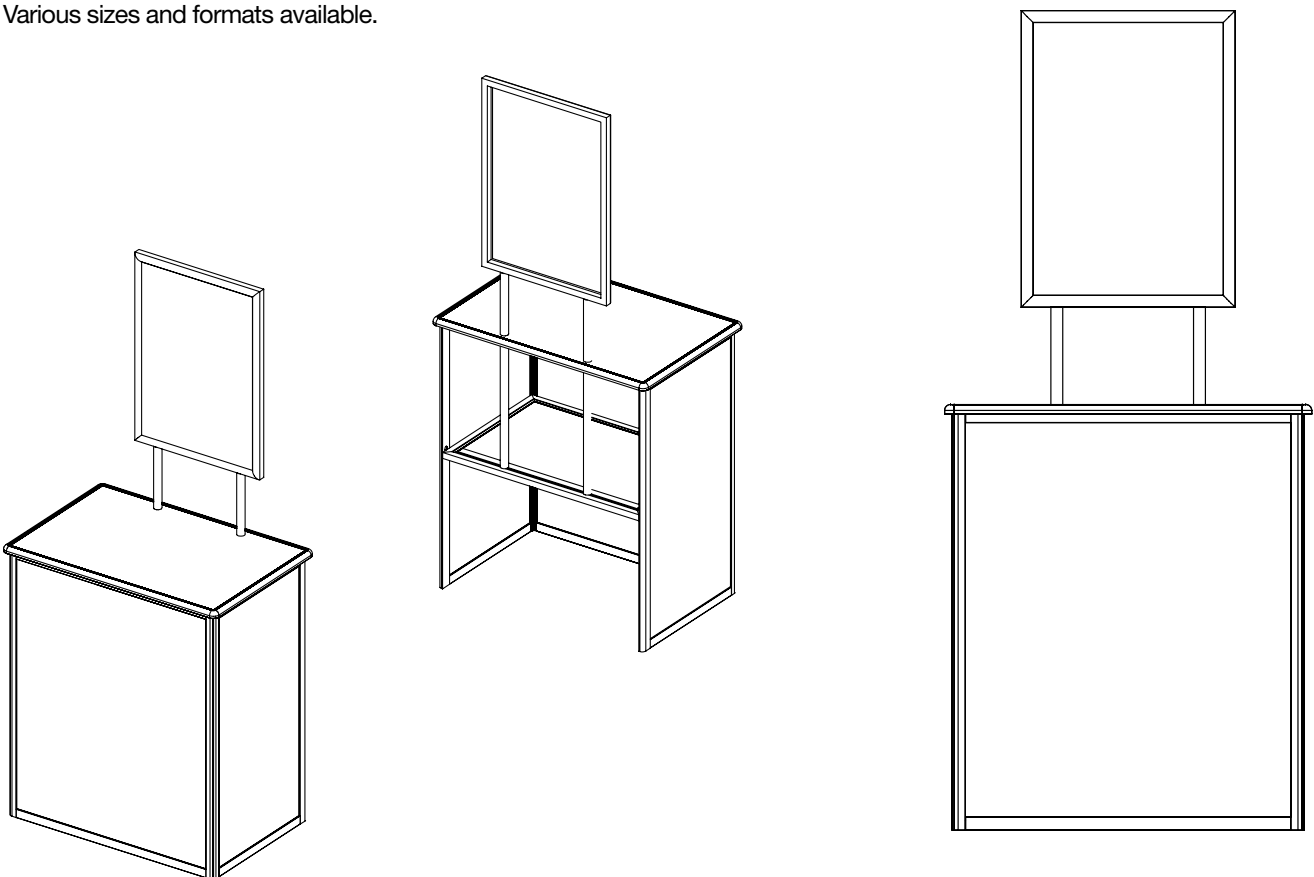
Perfectly flexible

Modular Portable Furniture

Folding Counters and Showcases



Folding counters including Snap Frames.
Various sizes and formats available.



Portable Furniture Perfectly simple

A range of modular counters
all 515mm deep with two
stock heights 895 & 1050mm.

Available in rectangular
and curved formats.

Special sizes and
specification can be
supplied.



01256 768178

COKEREXPO
EXHIBITION SYSTEMS LTD

www.cokerexpo.co.uk