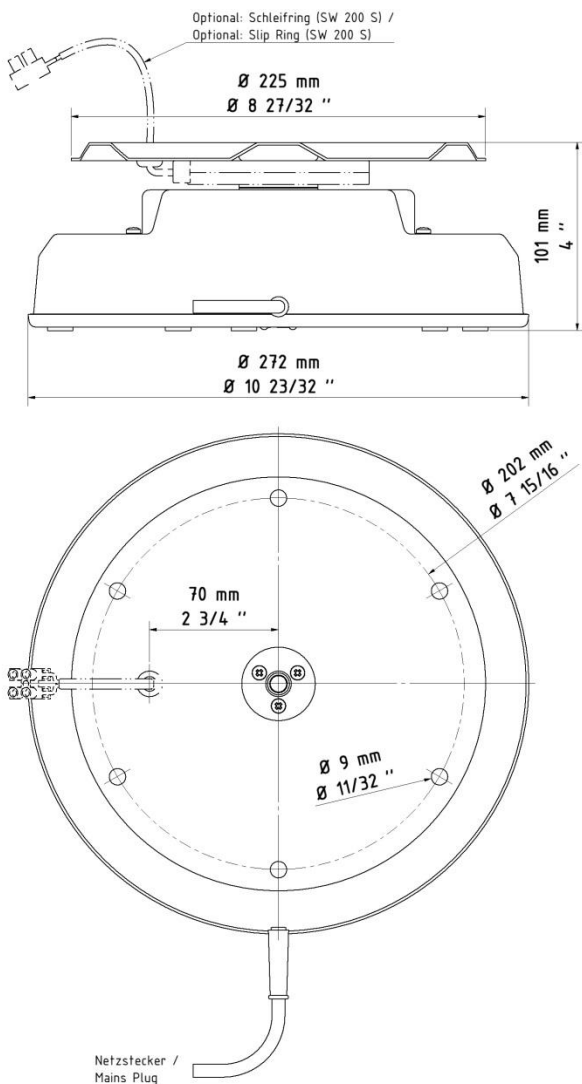
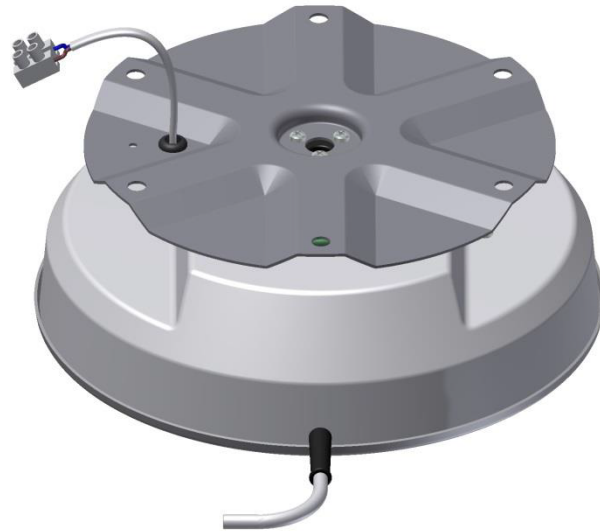


TTCSR 200 with slip ring

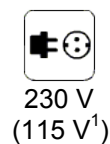


Turntable 20kg Load for indoor use:

The turntable CSR 200 is applicable for up to 20 kg (44 lbs) centric load. The shaft is supported by 2 friction bearings and a thrust bearing. It is available for low objects indoor use in horizontal position. The silent movement allows applications in quiet environments.

Features:

- white plastic housing
- metal base plate
- very silent
- maintenance-free
- safety clutch
- optional: slip ring for rotating power supply max. 4 A
 (220-240 V = 900 W; 110 V = 440 W)



Turntable TTCSR200 - Standard unit

Technical Data

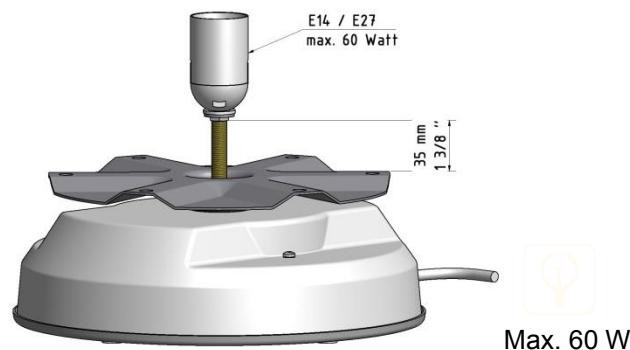
max. centric load: 20 kg (44 lbs)
total height: 101 mm
nominal voltage: 220 to 240 V, 50 Hz,
optional 115 V, 60 Hz
power consumption: 4 W
rotation speed: 2.5 rpm, rotating clockwise,
dead weight: 2.3 – 2.5 kg

Additional Features (on demand / on surcharge):

country-specific plug
second power cord to use the slip ring separately
rotation direction: counterclockwise
other rotating speeds
further options on request

Turntable TTCSR200 - Special options

TTCSR200 (with steady hollow tube)



Additional Features (on demand / on surcharge):

same as CSR200
other length of the hollow tube
other lamp holder
further options on request

¹Technical Information:

The rotation speed in the 60 Hertz grid (US version) is approx. 20% higher than in the 50 Hertz grid. Higher rotation speed can reduce the maximum load, so that the above mentioned characteristics are no longer valid.