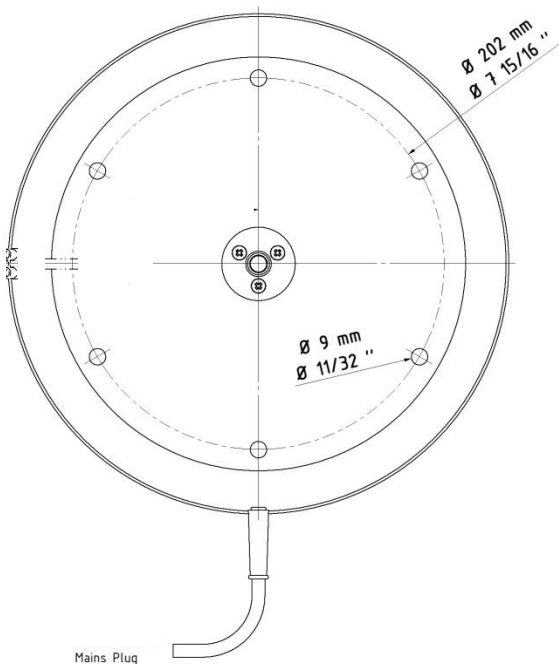
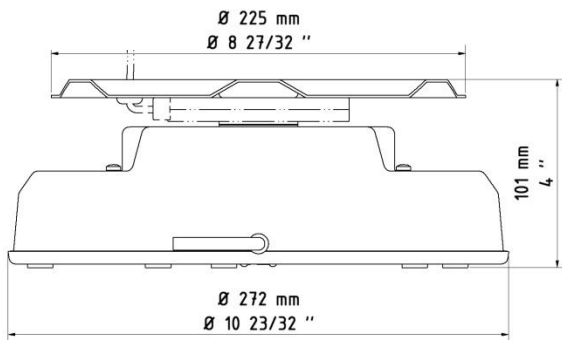
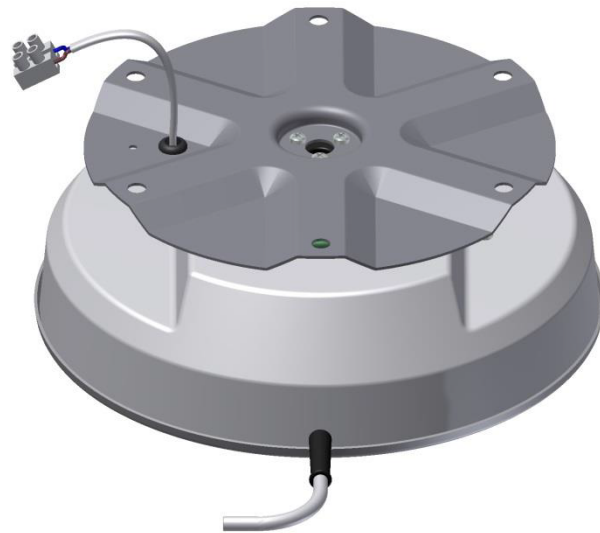


## TTC200 Turntable

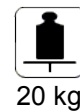
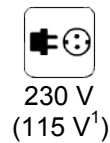


### Turntable 20kg Load for indoor use:

The turntable TTC 200 is applicable for up to 20 kg (44 lbs) centric load. The shaft is supported by 2 friction bearings and a thrust bearing. It is available for low objects indoor use in horizontal position. The silent movement allows applications in quiet environments.

#### Features:

- white plastic housing
- metal base plate
- very silent
- maintenance-free
- safety clutch



## Turntable TTC200 - Standard unit

### Technical Data

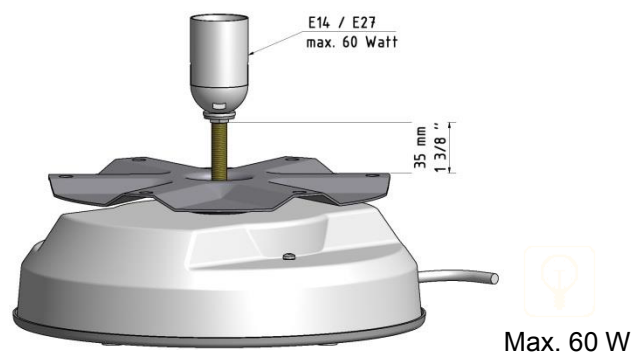
max. centric load: 20 kg (44 lbs)  
total height: 101 mm  
nominal voltage: 220 to 240 V, 50 Hz,  
optional 115 V, 60 Hz  
power consumption: 4 W  
rotation speed: 2.5 rpm, rotating clockwise,  
dead weight: 2.3 – 2.5 kg

#### Additional Features (on demand / on surcharge):

country-specific plug  
second power cord to use the slip ring separately  
rotation direction: counterclockwise  
other rotating speeds  
**further options on request**

## Turntable TTC200 - Special options

### TTC200 (with steady hollow tube)



#### Additional Features (on demand / on surcharge):

same as TTC200  
other length of the hollow tube  
other lamp holder  
**further options on request**

### <sup>1</sup>Technical Information:

The rotation speed in the 60 Hertz grid (US version) is approx. 20% higher than in the 50 Hertz grid. Higher rotation speed can reduce the maximum load, so that the above mentioned characteristics are no longer valid.