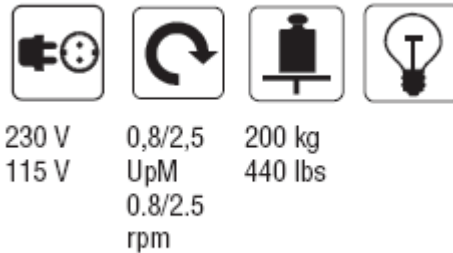
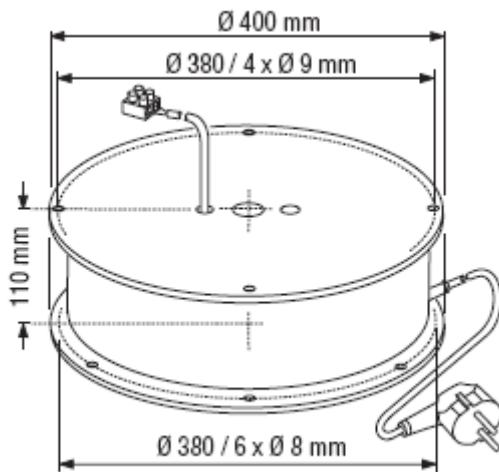




7 Fosters Business Park  
Old School Road  
Hook RG27 9NY  
Phone: 01256 768178 Fax :01256 766234

## Turntable TTCSW 1000/2000/3000 with collection rings.



### Turntable

Housing : White Plastic  
Turn Plate: Metal 400mm dia  
Collection ring output upto 4A  
Direction Right (CW)  
Safety Clutch  
Weight 15.7 Kilos  
Input Power 17 W

1000 unit carries 100kg  
2000 unit carries 200kg  
3000 unit carries 300kg