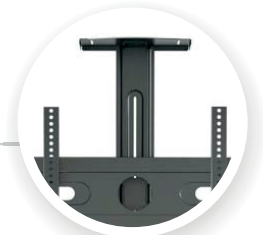




Unique and innovative design
 2" incremental spring plungers height adjustment innovative mechanism design provides effortless viewing level setup from 40.5" to 60.2".



Height adjustable video tray
 Steel video tray holds components up to 10 lbs (4.5 kg) and able to adjust vertical freely within the slot length for perfect video conferencing position.



Adjustable AV shelf height
 Adjustable plastic AV shelf holds AV components and accessories up to 10lbs (4.5 kg).



Integrated cable management system
 Internal cable management allows cables and wires to be routed inside the column for clean, clutter-free look.



Swivable caster brake wheels
 Carts come with 2" swivable caster brake wheels provide you with easy maneuvers to any direction and position.

High tensile heavy gauge material used to construct solid base for better support, stability and rigidity!



Heavy gauge columns constructed
 Built in 2X SPCC seamless heavy gauge columns provides rigid and stable support for the full setup mass weight.

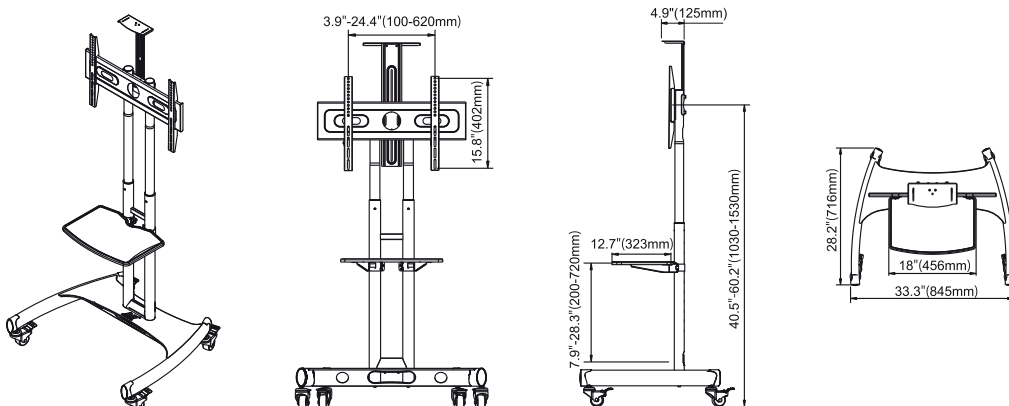


SPECIFICATIONS

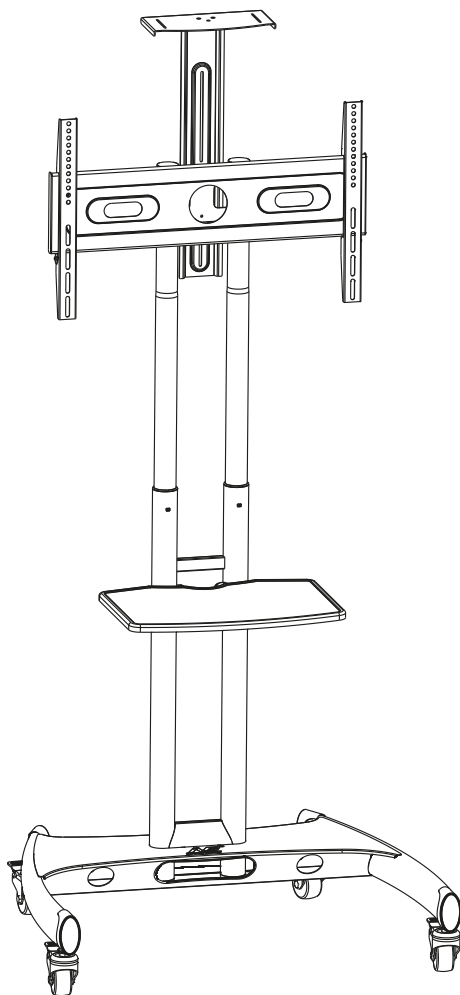


TV size	Max load	VESA pattern	Tilt angles	Swivel angles	Height adjustment	Materials used
37"-65"	100lbs(45.5kg)	100*100-600*400mm	0°	0°	40.5"-60"(1030-1530mm)	SPCC seamless

LINE DIMENSIONS



INSTALLATION INSTRUCTION



Multi-functional and professional mobile stand

For TV panels: 40"-60"

Maximum load capacity: 100 lbs / 45.5 kg

AV shelf max load: 10 lbs / 4.5 kg

Video tray max load: 10 lbs / 4.5 kg

VESA: 100x100-600x400mm

Table of Contents




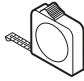



Table of Contents and Warning	2 / 11
Parts list	3 / 11
Assembly and Installation	
1. 1 Castor wheels to base installation	4 / 11
1. 2 Post assembly to base installation	4 / 11
2. Install telescopic mounting poles	5 / 11
3. Av shelf assembly and installation	6 / 11
4. Installation of interface	7 / 11
5. Selection of TV mounting patterns	8 / 11
6. Mounting TV on pole interface	9 / 11
7. Video tray installation	10 / 11
8. Cables and wires installation	11 / 11

WARNING!

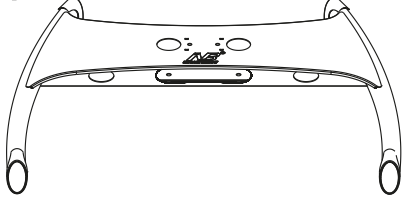
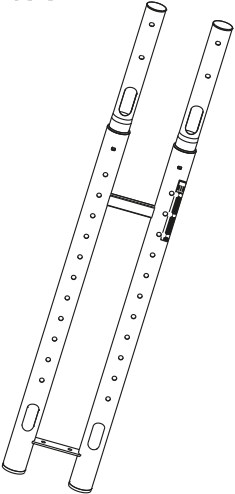

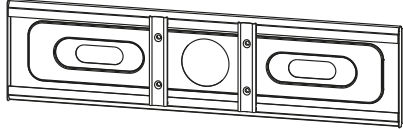



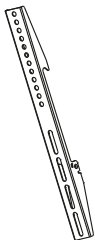
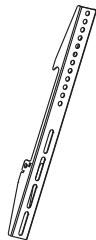
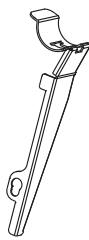
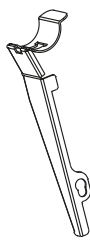



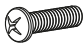







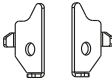


Severe personal injury and property damage can result from improper installation or assembly. Read the following warning carefully before beginning.

- If you do not understand the instructions or have any concerns or questions, please contact a qualified local installer.
 - Do not install or assemble if the product or hardware is damaged or missing, if you require replacement parts, please contact your local distributor for assistance.
 - This product fits most 40"-60" LCD/plasma screen; maximum weight of LCD/plasma screen: 100lbs/45.5kg; AV shelf max load: 10lbs/4.5kg; Video tray max load: 10lbs/4.5kg.
 - Do not use this product for anything other than the original design.
 - This product contains moving parts, please use with caution.
 - The manufacturer disclaims any liability for the modifications, improper installation, or installation over the specified weight range. The manufacturer will not be liable for any damages arising out of the use of, or inability to use, the product.
- All images are for reference, to prevail in product.

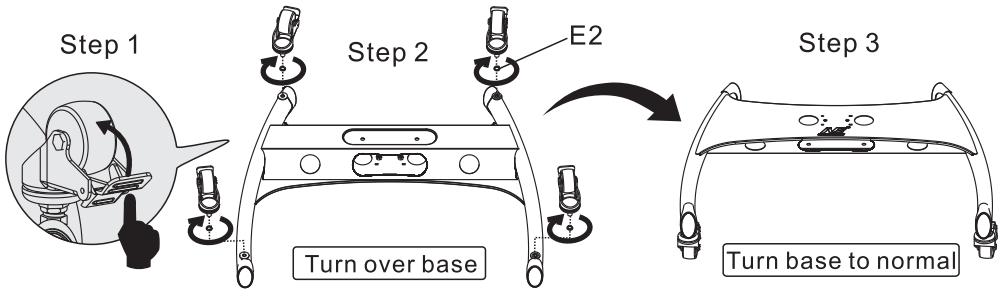
Manual

						
Tightening Direction	loosening Direction	Phillips Screwdriver	Metre Rule	Adjustment	By Hand	Hex Wrench

Parts List

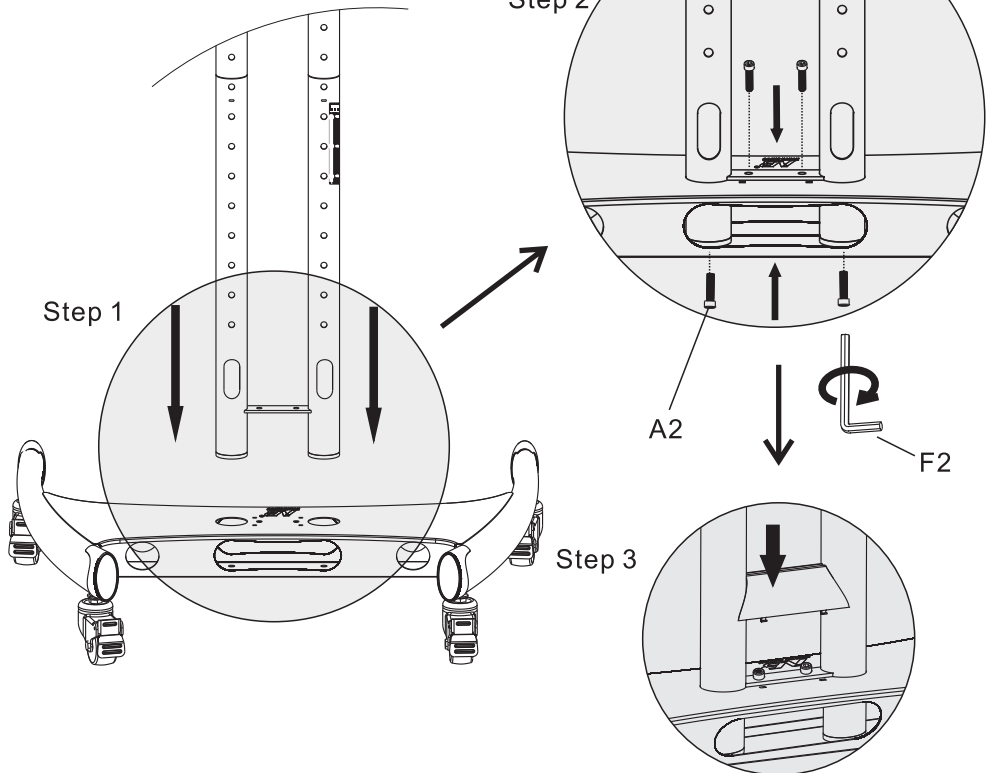
1X 		1X 		4X 	
1X 		1X 		1X 	
1X 	1X 	1X 	1X 	1X 	4X 
1X 	2X 				
A1 4X  M8×25mm	B1 4X  M6×25mm	C1 4X  M5×25mm	D1 4X  Φ16×Φ6.2×1.5mm	E1 4X  Φ18×27×H14mm	
A2 6X  M8×26mm	B2 4X  M8×55mm	C2 2X  M5×12mm	D2 1X 	E2 4X  Φ16.5×Φ12.5×2mm	F2 1X  M6

1.1 Castor wheels to base installation



1.2 Post assembly to base installation

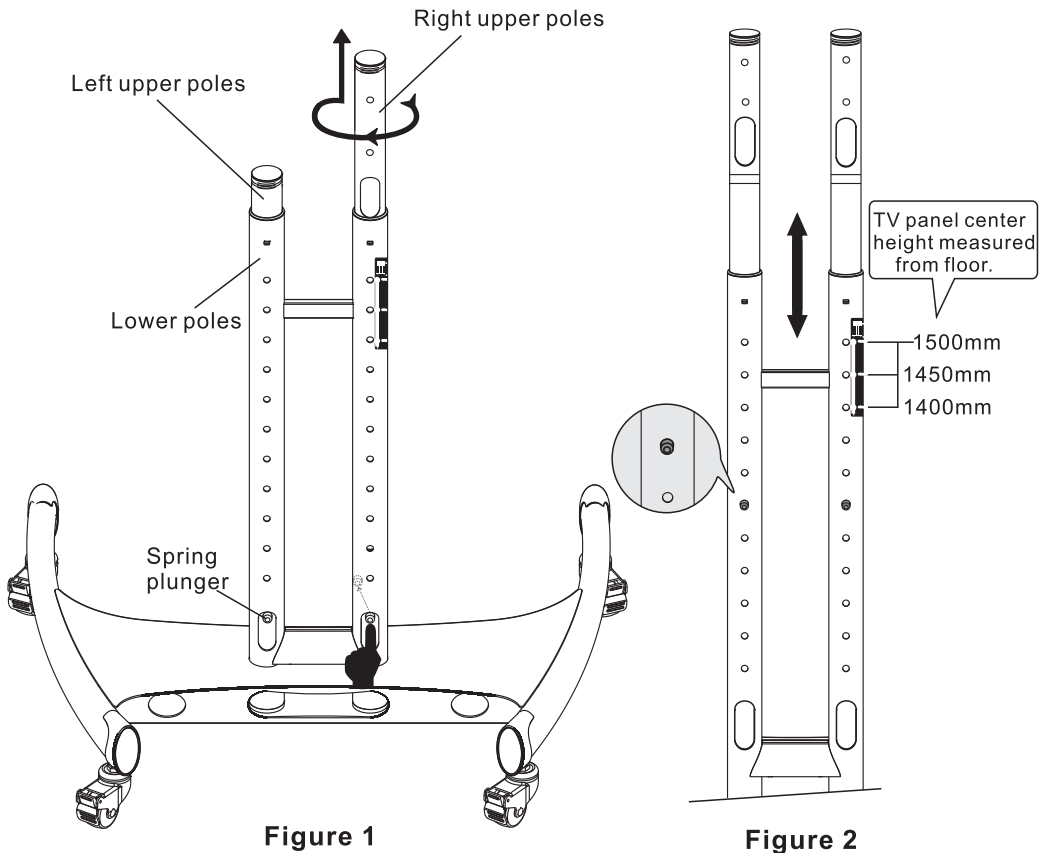
Note:
Make sure cables management holes are facing the rear of base.



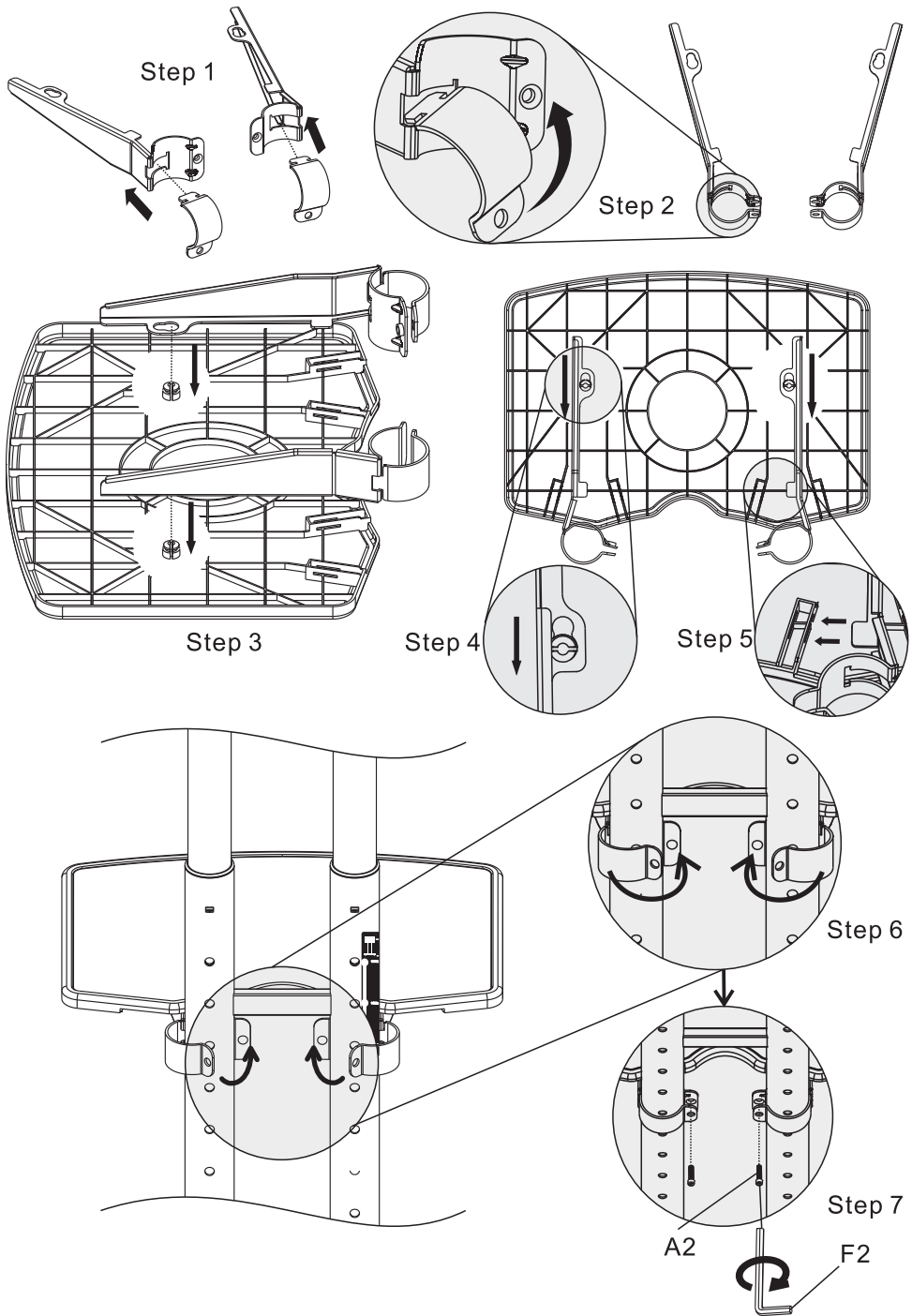
2. Install telescopic mounting poles

Step 1. Use thumb or finger to depress the right upper pole spring plunger ball located at the cable window, pull upper pole upward until your desired height. Twist upper pole toward the plunger holes direction and engage the spring ball into the plunger hole and set as shown in fig-1.

Step 2. Repeat with left pole.

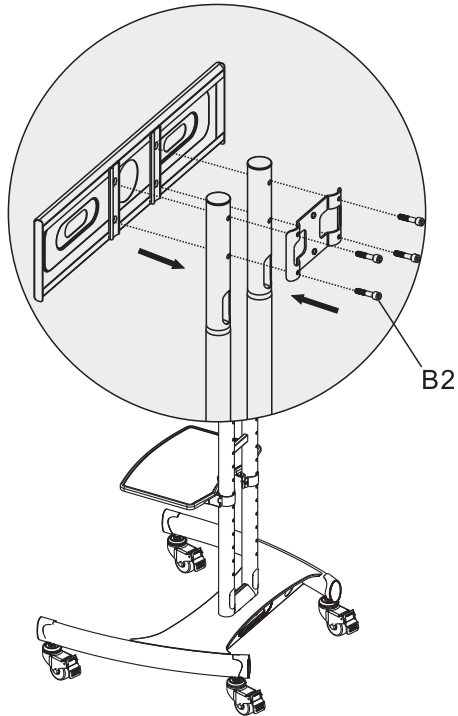


3. AV shelf assembly and installation

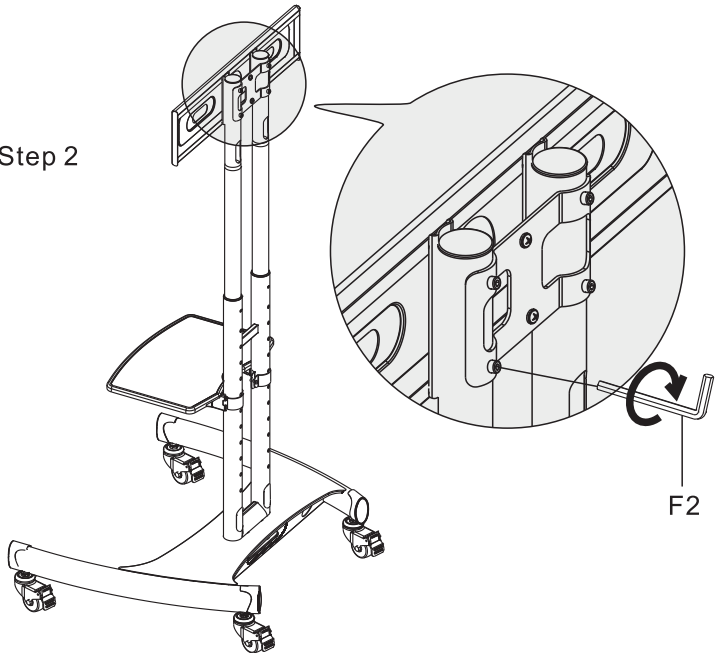


4. Installation of interface

Step 1

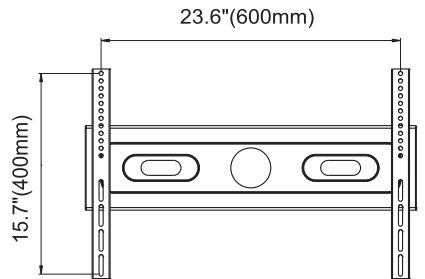
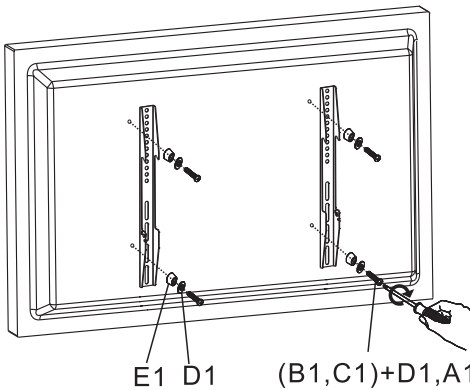
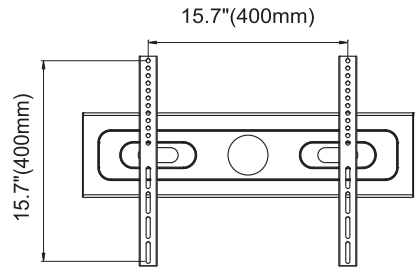
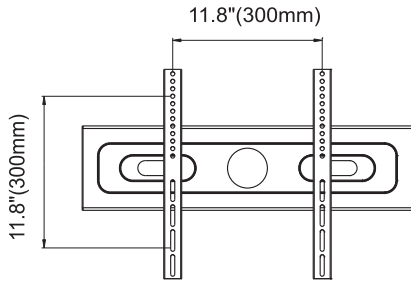
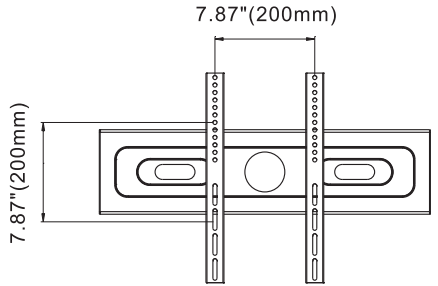
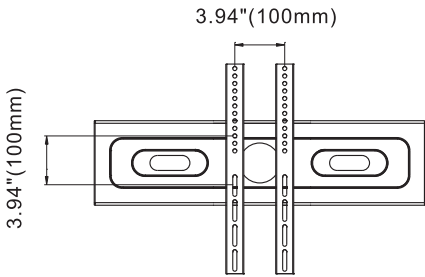


Step 2

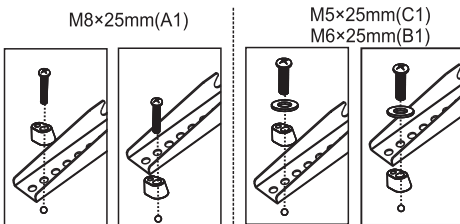


5. Selection of TV mounting patterns

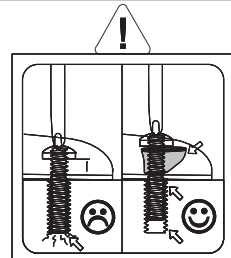
VESA: 100x100~600x400mm



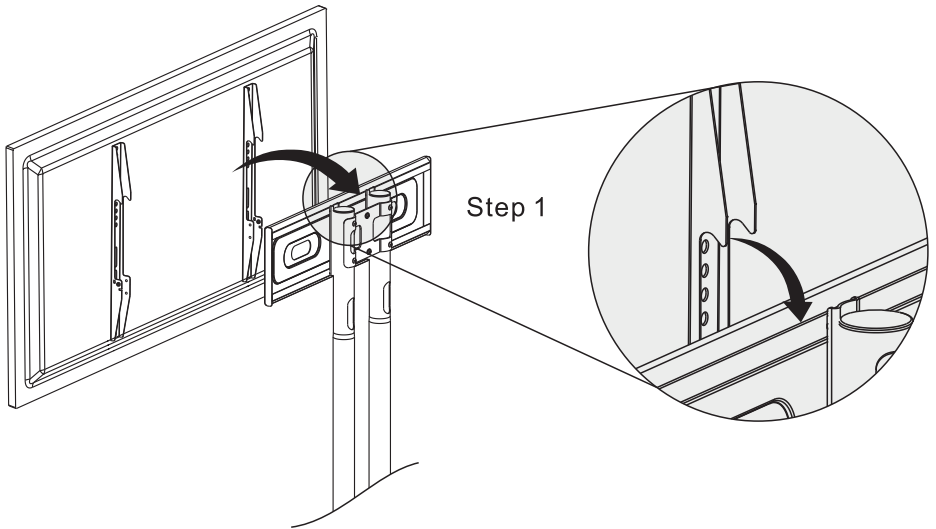
Note:
To avoid damage plastic spacer must be used when depth of mounting holes is minimal.



Safety advise

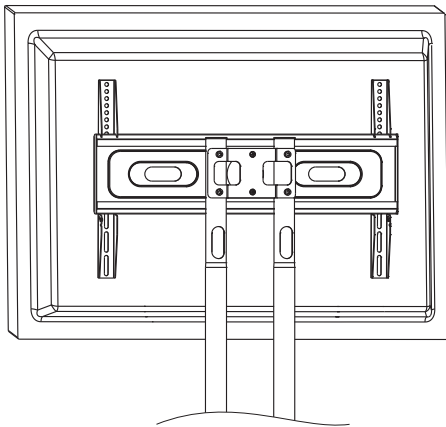


6. Mounting TV on pole interface

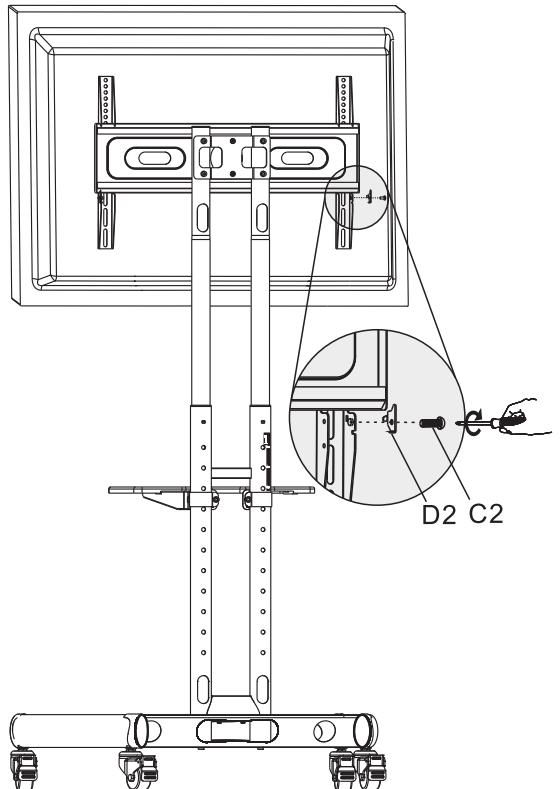


Step 2

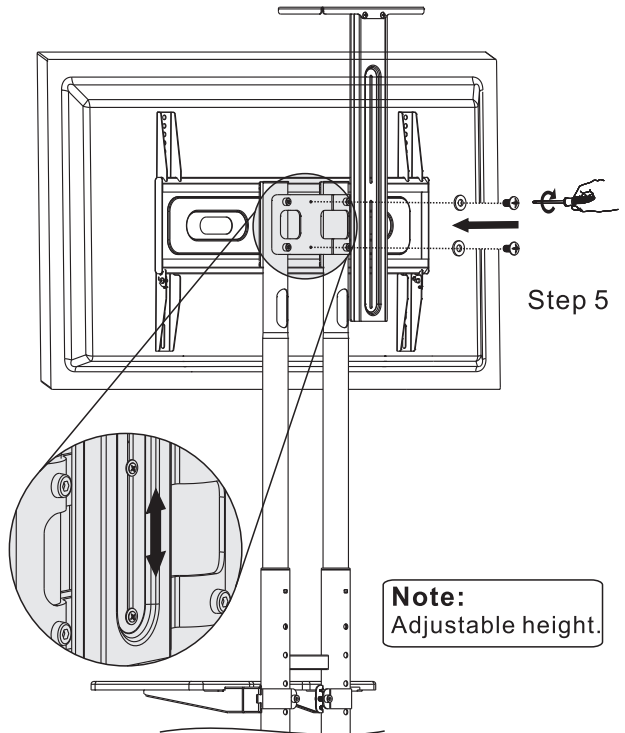
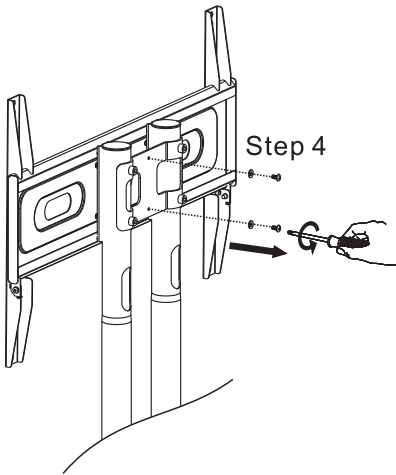
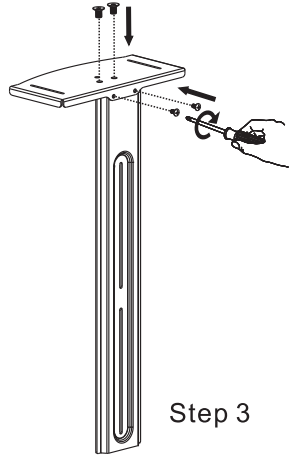
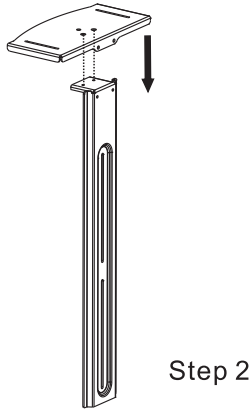
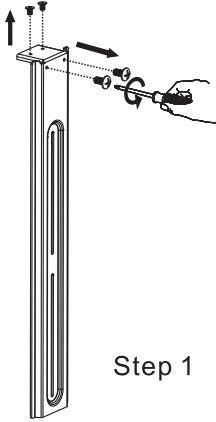
Note:
Moves TV to center.



Step 3



7. Video tray installation



8. Cables and wires installation

