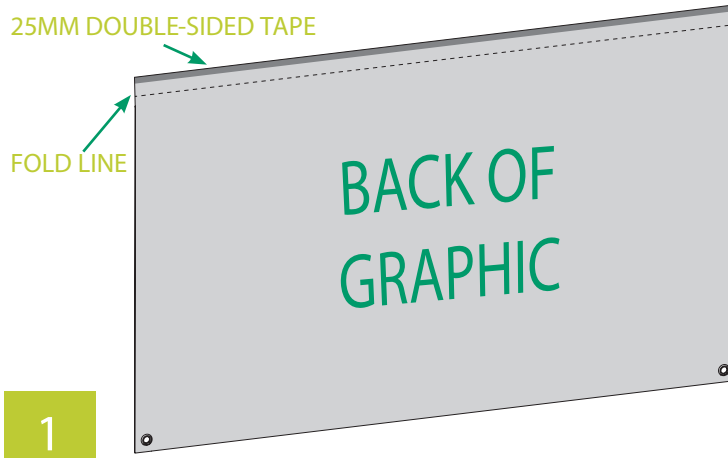
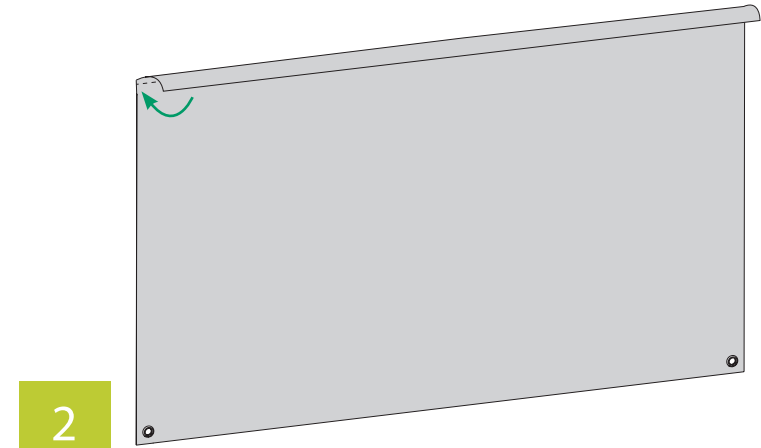




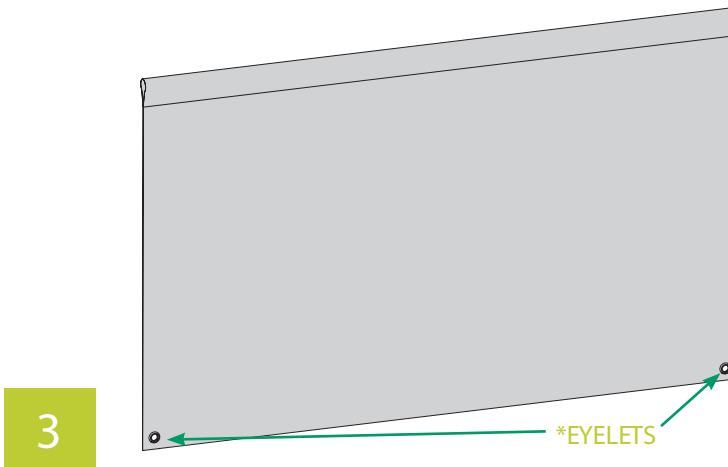
ATTACH A GRAPHIC TO THE COFFEE TIME CROSS ARMS



1 Apply 25mm double-sided tape to rear top edge of graphic.



2 Fold graphic to create two pole pockets with a 75mm internal height.

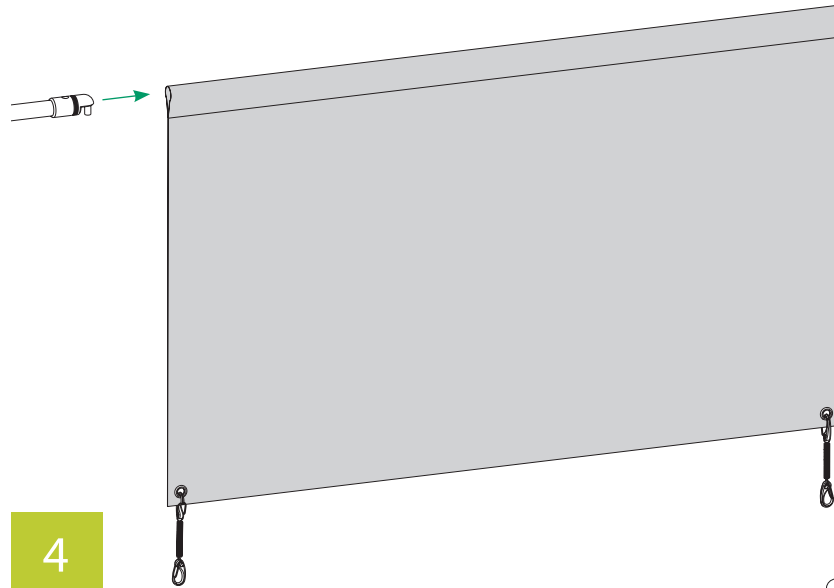


3 *FOR POSITION OF EYELETS SEE PAGE 3

IMPORTANT NOTE:
THE ABOVE METHOD SHOWS HOW TO CREATE A POLE POCKET USING DOUBLE-SIDED TAPE. HOWEVER OTHER METHODS OF CREATING A POLE POCKET CAN BE USED.

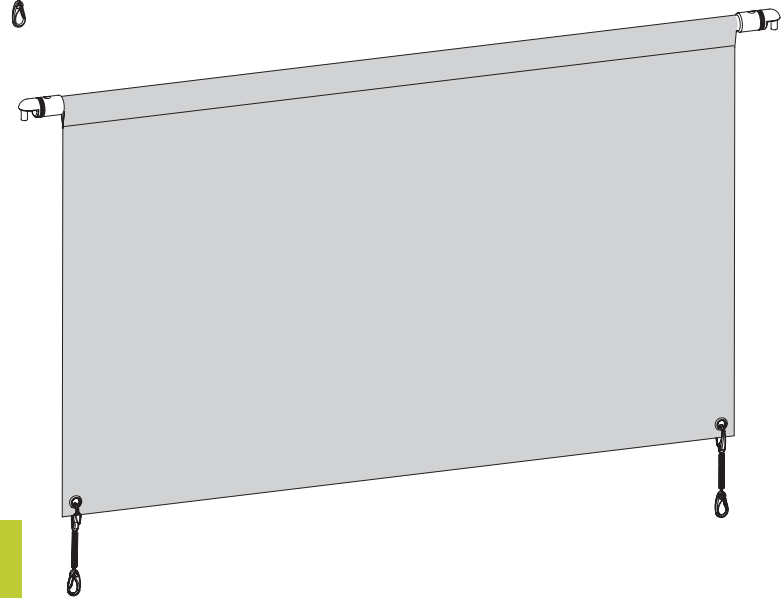


ATTACH A GRAPHIC TO THE CROSS ARMS



4

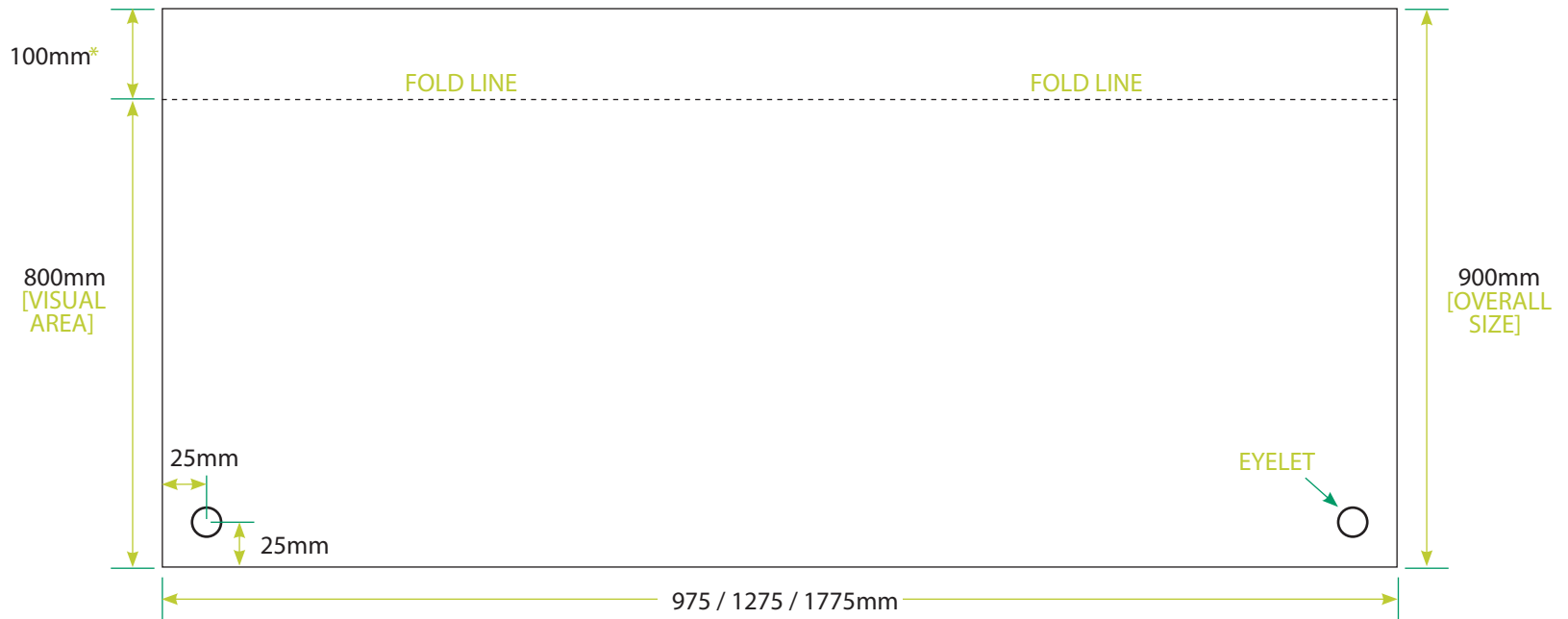
Slide cross arm into pole pocket. Attach spring clips through eyelets.



5



COFFEE TIME CAFE BANNER GRAPHIC PANEL SIZES



* A SIZE OF 100MM ALLOWS FOR 25MM WIDE DOUBLE-SIDED SELF-ADHESIVE TAPE TO BE USED TO FINISH THE POLE POCKET. IF OTHER WIDTHS OF DOUBLE-SIDED TAPE, OR IF OTHER METHODS OF FINISHING THE POLE POCKET ARE USED, PLEASE ADJUST THE SIZE OF THE POLE POCKET ACCORDINGLY.