

## SPECIFICATIONS

### GRAPHIC PANEL SIZE

Finished graphic panel size

900mm x 1775 / 1275 / 975mm

[Please note – 100mm of graphic is folded over to create pole pocket]

### Visual graphic area

800mm x 1775 / 1275 / 975mm

### Graphic panel thickness

500 micron

## WEIGHTS AND DIMENSIONS

### Assembled size

Post and base: 1000 [h] x 360 [d] mm

Base height: 50mm

Centre of post to centre of post:

2000mm / 1500mm / 1200mm

Height to top of cross bar: 1000mm

Height to bottom of graphic: 210mm

### Boxed size

Post [box 1]: 1010 [h] x 110 [w] x 100 [d] mm

Post [box 2]: 370 [h] x 370 [w] x 160 [d] mm

### 2000mm cross bar:

2050 [l] x 45 [w] x 45 [d] mm

### 1500mm cross bar:

1550 [l] x 45 [w] x 45 [d] mm

### 1200mm cross bar:

1250 [l] x 45 [w] x 45 [d] mm

### Boxed weight

Post: 12.50kg [combined weight of box 1 and 2]

2000mm cross bar: 1.50kg [inc spring clips]

1500mm cross bar: 1.20kg [inc spring clips]

1200mm cross bar: 1.0kg [inc spring clips]

## COMPONENT LIST

### POST

1 x Post

1 x Base

1 x Post Gasket

1 x Bolt

1 x Washer

1 x Spring Washer

8 x Blanking Bungs

## COMPONENT LIST

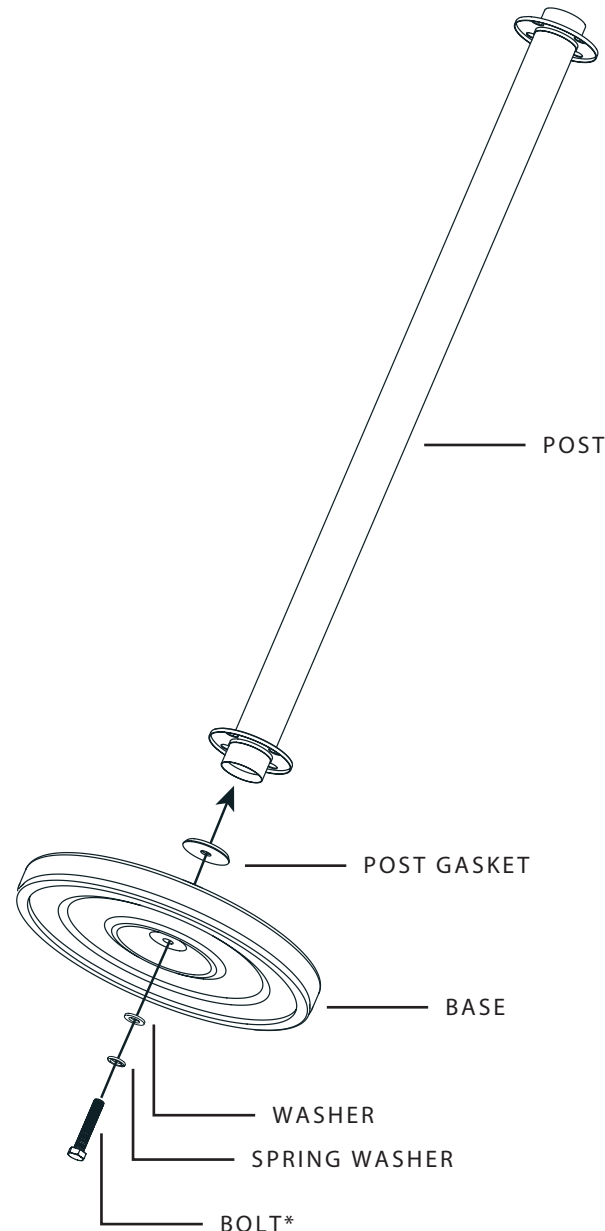
### CROSS ARM

1 x Cross Bar

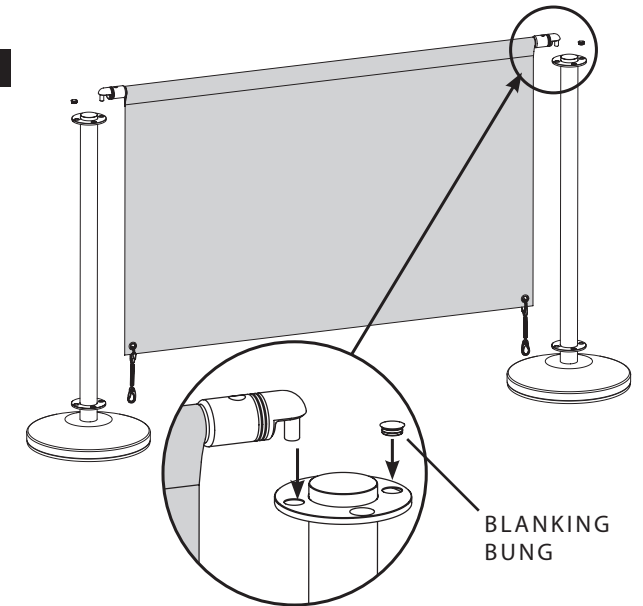
2 x Spring Fittings

## CAFÉ BARRIER – ASSEMBLY INSTRUCTIONS

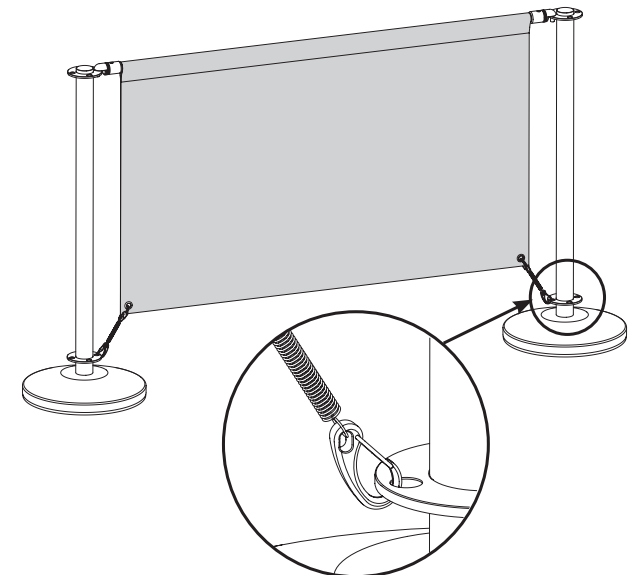
1



2



3



\*Please ensure that bolt is routinely checked and tightened as necessary

Graphic attachment instructions on reverse



## SPECIFICATIONS

### GRAPHIC PANEL SIZE

Finished graphic panel size  
900mm x 1775 / 1275 / 975mm  
[Please note – 100mm of graphic is folded over to create pole pocket]

### Visual graphic area

800mm x 1775 / 1275 / 975mm

### Graphic panel thickness

500 micron

### WEIGHTS AND DIMENSIONS

#### Assembled size

Post and base: 1000 [h] x 360 [d] mm

Base height: 50mm

Centre of post to centre of post:

2000mm / 1500mm / 1200mm

Height to top of cross bar: 1000mm

Height to bottom of graphic: 210mm

#### Boxed size

Post [box 1]: 1010 [h] x 110 [w] x 100 [d] mm

Post [box 2]: 370 [h] x 370 [w] x 160 [d] mm

#### 2000mm cross bar:

2050 [l] x 45 [w] x 45 [d] mm

#### 1500mm cross bar:

1550 [l] x 45 [w] x 45 [d] mm

#### 1200mm cross bar:

1250 [l] x 45 [w] x 45 [d] mm

#### Boxed weight

Post: 12.50kg [combined weight of box 1 and 2]

2000mm cross bar: 1.50kg [inc spring clips]

1500mm cross bar: 1.20kg [inc spring clips]

1200mm cross bar: 1.0kg [inc spring clips]

## COMPONENT LIST

### POST

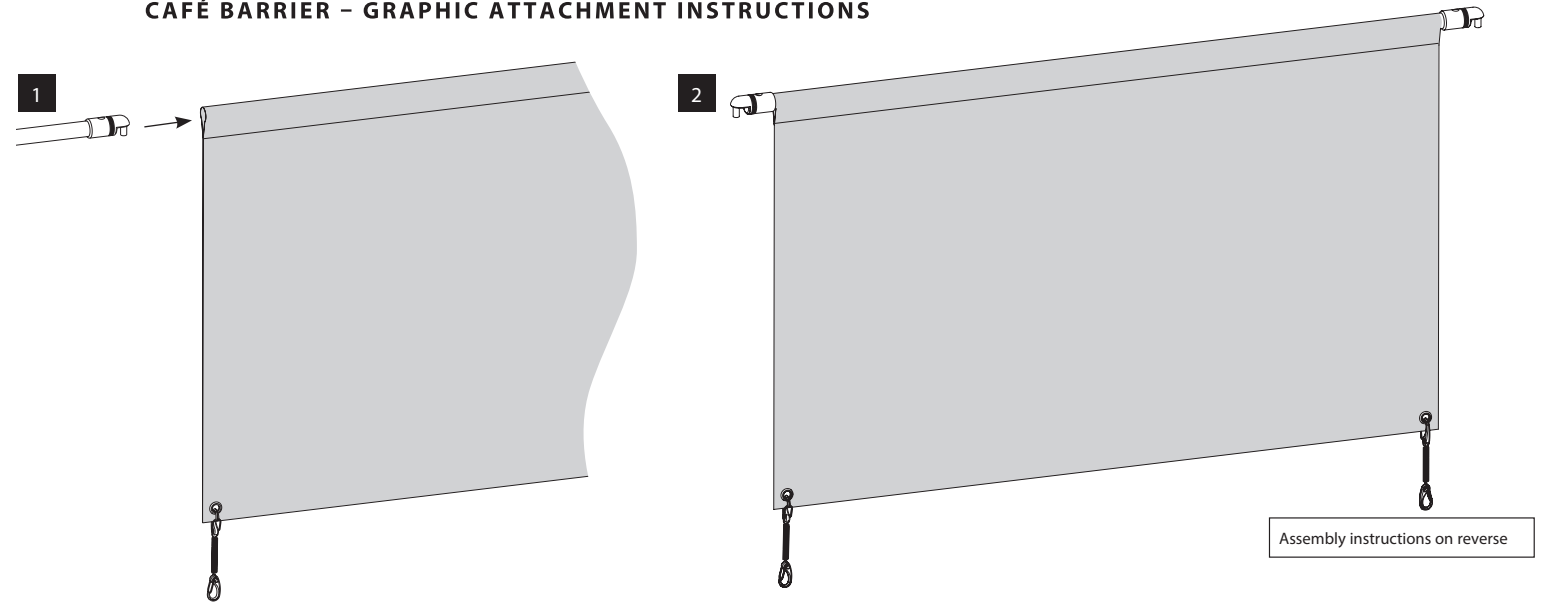
- 1 x Post
- 1 x Base
- 1 x Post Gasket
- 1 x Bolt
- 1 x Washer
- 1 x Spring Washer
- 8 x Blanking Bungs

## COMPONENT LIST

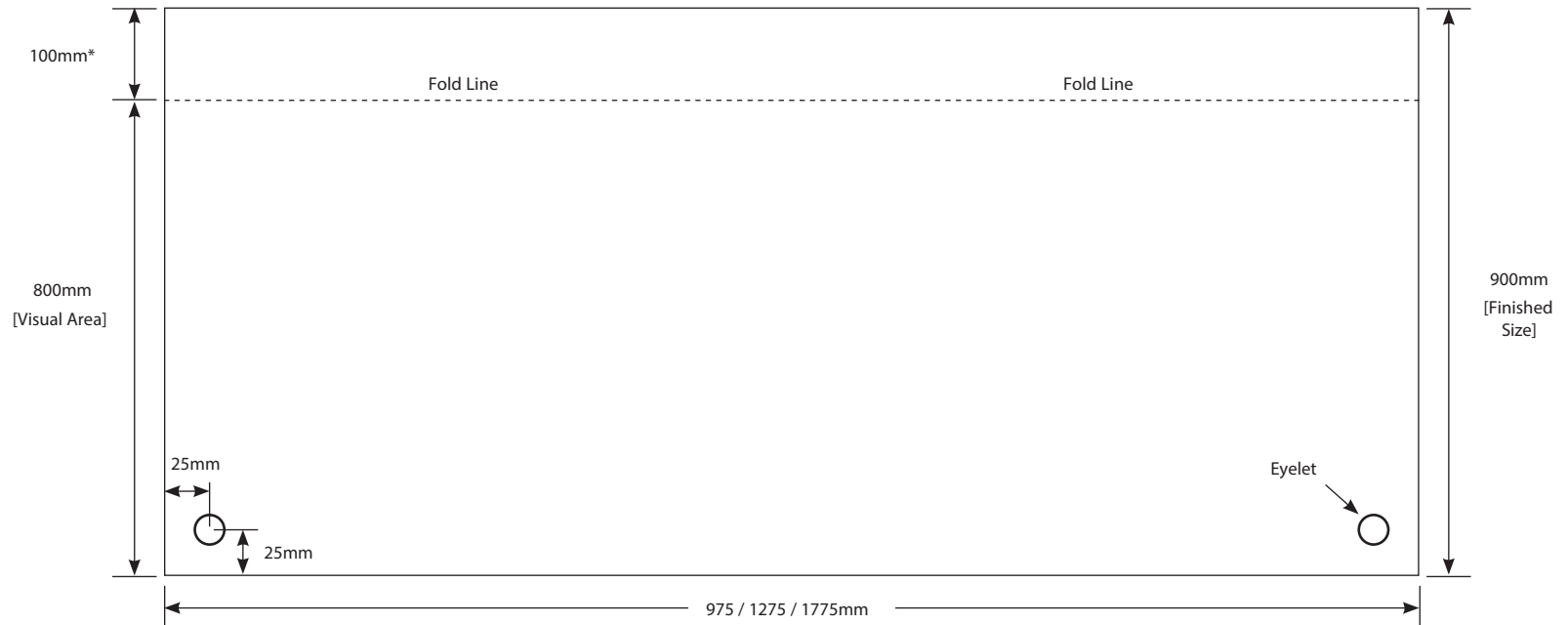
### CROSS ARM

- 1 x Cross Bar
- 2 x Spring Fittings

## CAFÉ BARRIER – GRAPHIC ATTACHMENT INSTRUCTIONS



## ESPRESSO CAFÉ BANNER – GRAPHIC PANEL SIZES



\* A size of 100mm allows for 25mm wide double-sided self-adhesive tape to be used to finish the pole pocket. If other widths of double-sided tape, or other methods of finishing the pole pocket are used, please adjust the size of the pole pocket accordingly.

ouble-sided tape, or other methods