

CAFE BANNER OUTDOOR BANNER STAND

OUTDOOR BANNER STAND



OUTDOOR BANNER STAND

Suitable for indoor
 or outdoor use

Unique graphic mechanism

Quick and easy to assemble

CAFE BANNER

BE TERRITORIAL!

FUNCTIONAL YET STYLISH PAVEMENT MODULAR BANNER SYSTEM. PERFECT FOR PARTITIONING INTERNAL AND EXTERNAL PEDESTRIAN ENVIRONMENTS AND HIGH TRAFFIC AREAS.

CAFÉ BANNER IS QUICK AND SIMPLE TO ASSEMBLE AND HAS A SIMPLE TAMPER PROOF LOCKING MECHANISM WHICH REDUCES THE OPPORTUNITY FOR THEFT OR VANDALISM

STANDARD SIZING OPTIONS MEET MOST DEPARTMENTAL PAVEMENT SIGNAGE REGULATIONS.

FEATURES

- Unique graphic mechanism eliminating the need to stitch or eyelet your graphics
- Single or double-sided
- Suitable for outdoor and indoor use
- Aluminium top and bottom bar
- Suitable for PVC substrates
- Quick and easy assembly
- Visible graphic height 802mm
- Visible graphic width options are 975mm and 1775mm
- Chromed aluminium finish

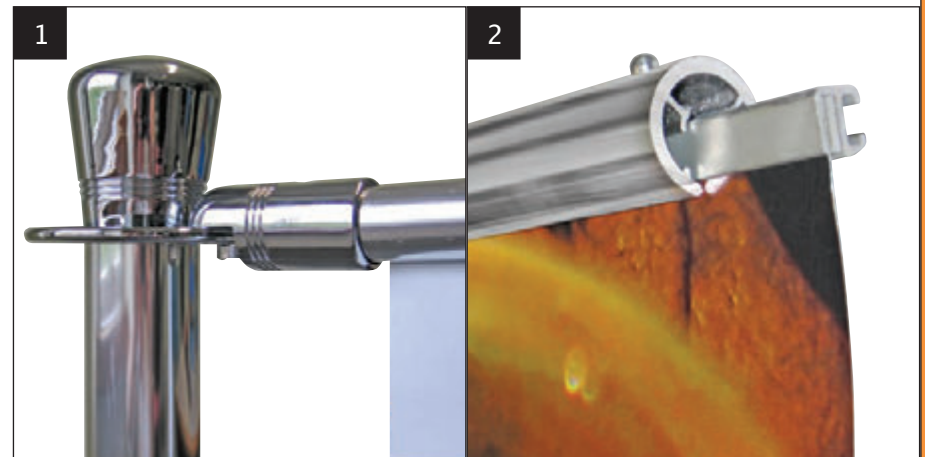


Unique graphic mechanism



outdoor banner stands

EXTERNAL and INTERNAL usage



1. Top pole attaches easily to post
2. Graphic hanger slides into cross arm

OUTDOOR BANNER STAND

QUICK AND EASY ASSEMBLY

UNIQUE GRAPHIC MECHANISM

2 YEAR WARRANTY

SPECIFICATIONS

GRAPHIC PANEL SIZE

Finished graphic panel size
830mm x 975 / 1775mm

Visual graphic area
802mm x 975 / 1775mm

Graphic panel thickness
500 micron

SYSTEMSIZES

Boxed size

2000mm wide: 1060mm x 360mm x 360mm
90mm x 45mm x 1960mm
1200mm wide: 1060mm x 360mm x 360mm
90mm x 45mm x 1160mm

BOXED WEIGHT

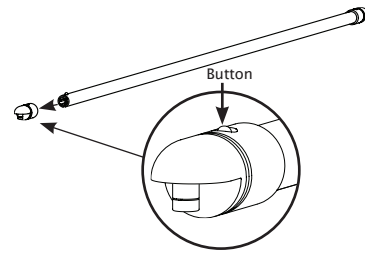
Post: 18.5kg
1200mm cross arms: 2.5kg
2000mm cross arms: 4kg

COMPONENT LIST

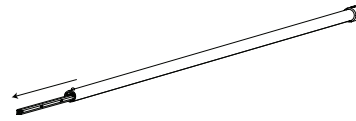
2 x Assembled posts
2 x Cross bars
Allen key

CAFE BANNER – CROSS BAR ASSEMBLY INSTRUCTIONS

1 Press button to remove cross bar ends

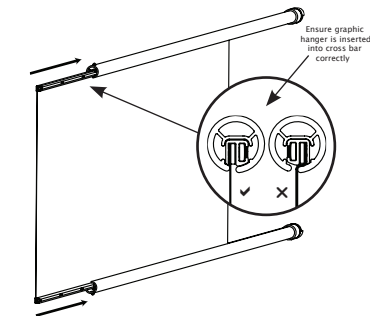


1 Slide out graphic hanger

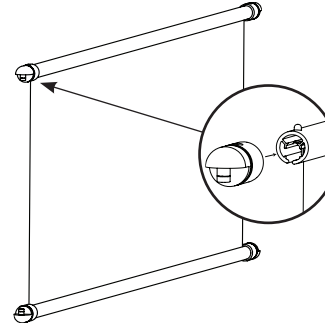


Attach graphic to hanger (see graphic attachment instructions)

3 Slide graphic hanger back into cross bar

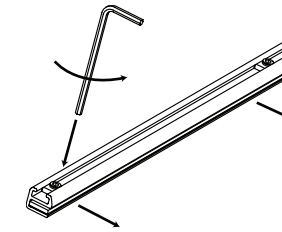


4 Re-attach cross bar ends

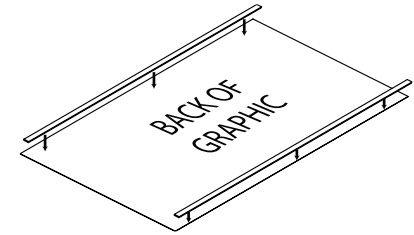


CAFE BANNER – GRAPHIC ATTACHMENT

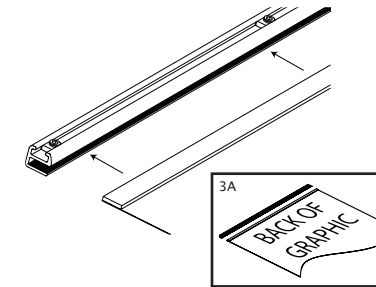
1 Undo grub screws and remove graphic guide



2 Attach self-adhesive graphic guides to rear of top and bottom edges of graphic

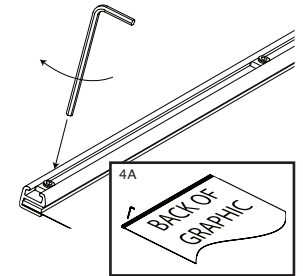


3 Slide graphic guide into hanger



Repeat operations for bottom hanger

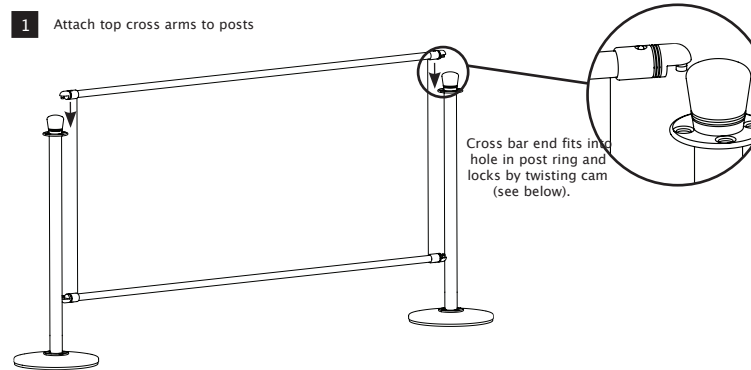
4 Tighten up grub screws to secure graphic



Cross bar assembly instructions on reverse

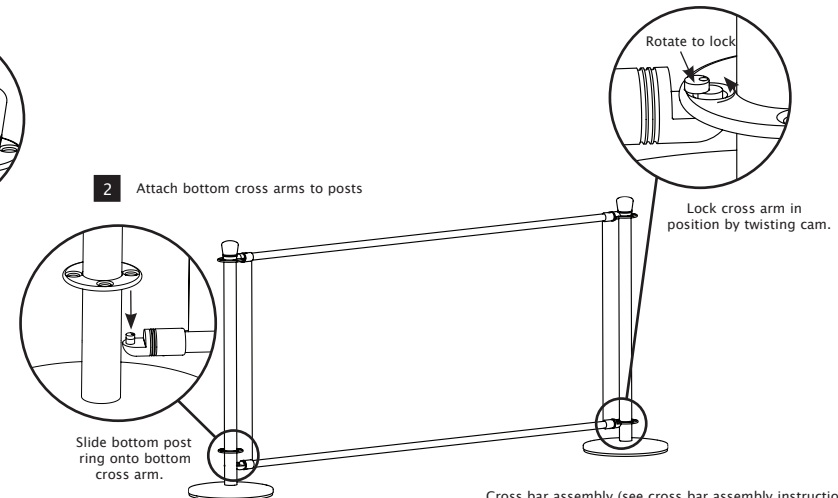
CAFE BANNER – CROSS BAR ASSEMBLY INSTRUCTIONS

1 Attach top cross arms to posts



Cross bar end fits into hole in post ring and locks by twisting cam (see below).

2 Attach bottom cross arms to posts



Slide bottom post ring onto bottom cross arm.

Lock cross arm in position by twisting cam.

Cross bar assembly (see cross bar assembly instructions)