

Note: This is a safety device and does not increase the loading capability

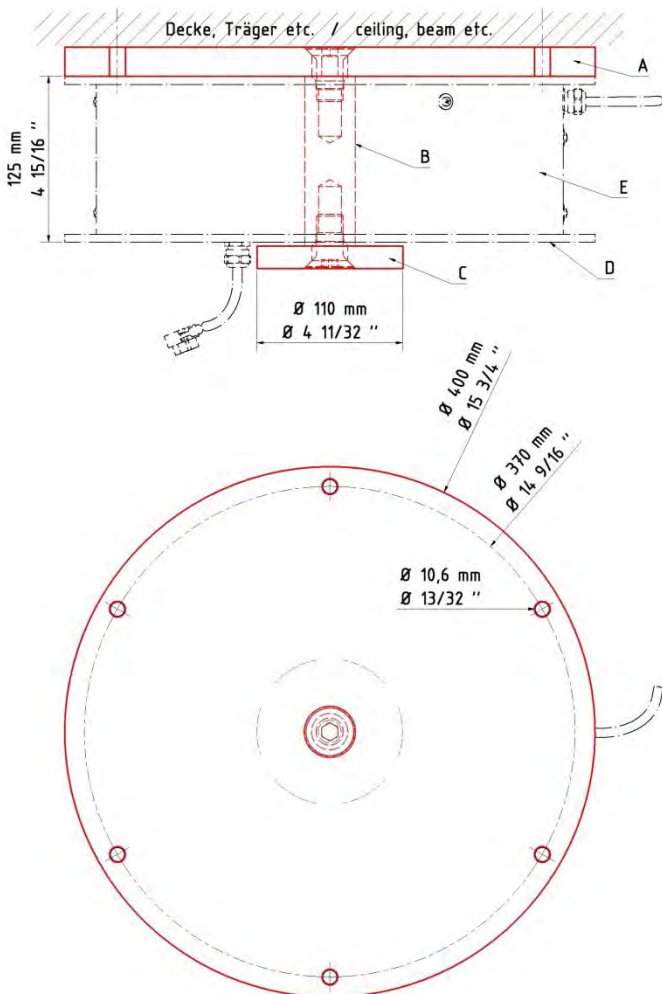
**Safety Kit 1 (SP1) - for CEU 5000 and CEU 7500
 for Hanging Load up to 150 kg / 330 lbs Approved for trade shows**



**Safety Kit 1
 for CEU5000 and CEU7500**

In an unlikely situation, should the turntable's shaft break, the **turning plate D** including the hanging weight will be prevented from falling due to the **steel plate C** and the **steel shaft B**, which are interconnected and screwed to the **safety plate A**. **By using the Safety Kit 1, the requirements according to 7 of DGUV V17 are therefore complied with. The SP1 has a loading capacity of 450 kg (990 lbs) and confers therefore a 12-fold safety of a max. allowed centric hanging load of 37 kg (81 lbs). For a triple safety factor the max. allowed centric hanging load is therefore 150 kg (330 lbs).**

- A:** 1 x steel plate (Ø 400 x 6 mm)
- B:** 1 x steel shaft (Ø 38 x 128 mm)
- C:** 1 x steel plate (Ø 110 x 6 mm)
- D:** turn plate of the turn table (Ø 400 x 6 mm)
- E:** turn table U 5000 or U 7500



Please also note the turntable data sheet and the safety advices of ceiling mounted turntables.

All information are underlying tolerances, may contain technical or printing errors and are subject to change without notice.