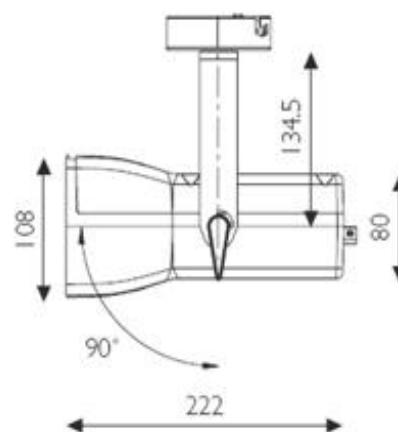


Data Sheet CMH150

Powerful Exhibition and display flood light.



- Supplied with Lamp 150W Type Lifetime 10000h Metal Halide HIT-DE 150W RX7s-24 cool white with very bright output (70W version also available)
- Sleek adjustable surface mounted metal halide flood light for retail and display application.
- Die cast aluminium housing with painted finish standard silver grey but also available in white by order.
- Fitted with aluminium reflector and safety glass.
- Weight is 4.14Kilos
- Integral low loss metal halide control gear complete with timed ignitor as standard
- Gantry clamps available

Order code: CMH150