

FOLDING SWING SIGN

SPECIFICATIONS

Visual Panel Area

750 x 500mm
[Corner radii on blank = 75mm]

SYSTEM SIZES

ASSEMBLED SIZE – OPEN

846 (H) x 585 (W) x 585 (D) mm

ASSEMBLED SIZE – CLOSED

900 (H) x 585 (W) x 70 (D) mm

BOXED SIZE

920 (H) x 615 (W) x 90 (D) mm

BOXED WEIGHT

6.3kg

COMPONENT LIST

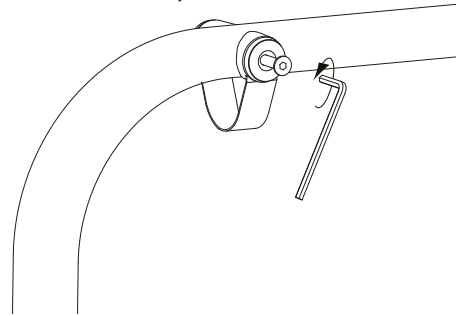
- 1 off aluminium panel
- 1 off steel frame
- 1 off 4mm allen key

Items attached to steel frame:

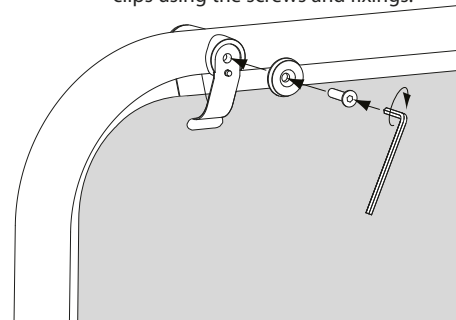
- 2 off panel hanging clip
- 4 off screw
- 4 off saddle washer
- 4 off finishing washer

PANEL ATTACHMENT

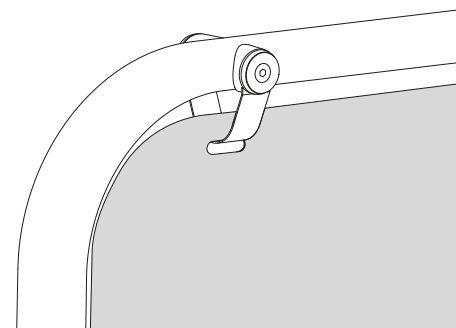
- A** Remove screw and fixings from one side of each panel hanging clip using a 4mm allen key.



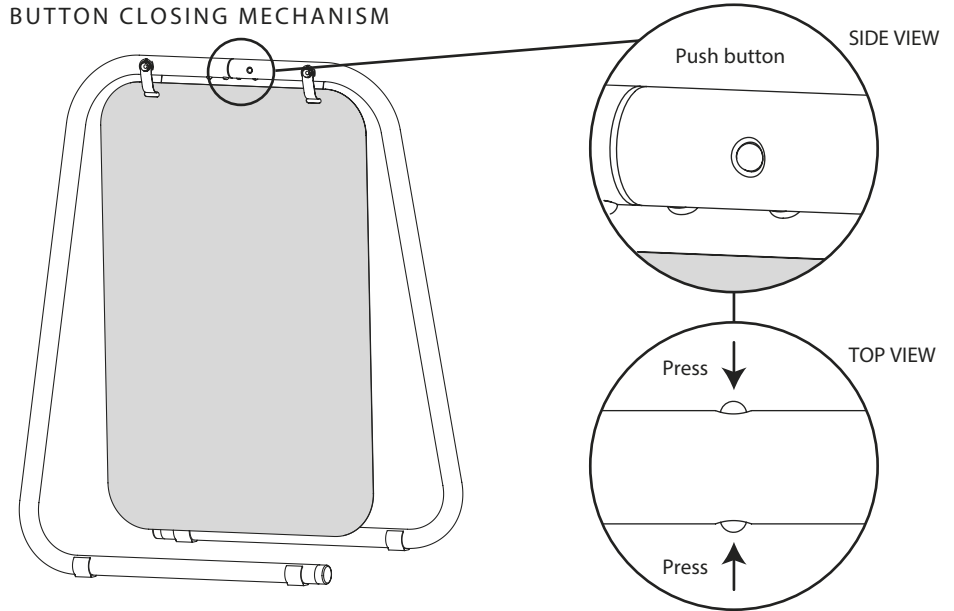
- B** Locate panel onto the panel hanging clips. Reassemble the panel hanging clips using the screws and fixings.



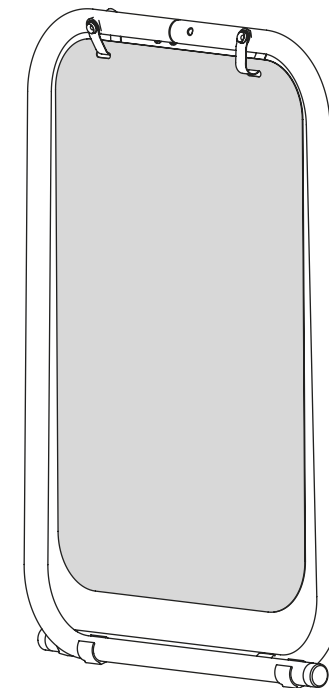
- C** Reassembled panel hanging clip.



BUTTON CLOSING MECHANISM



CLOSED POSITION



OPEN POSITION

