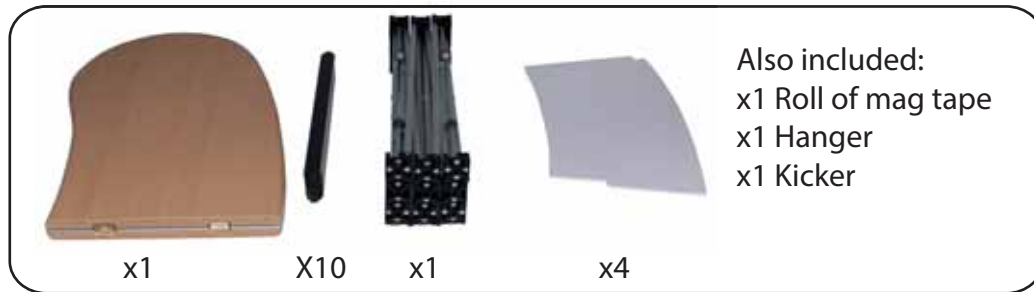
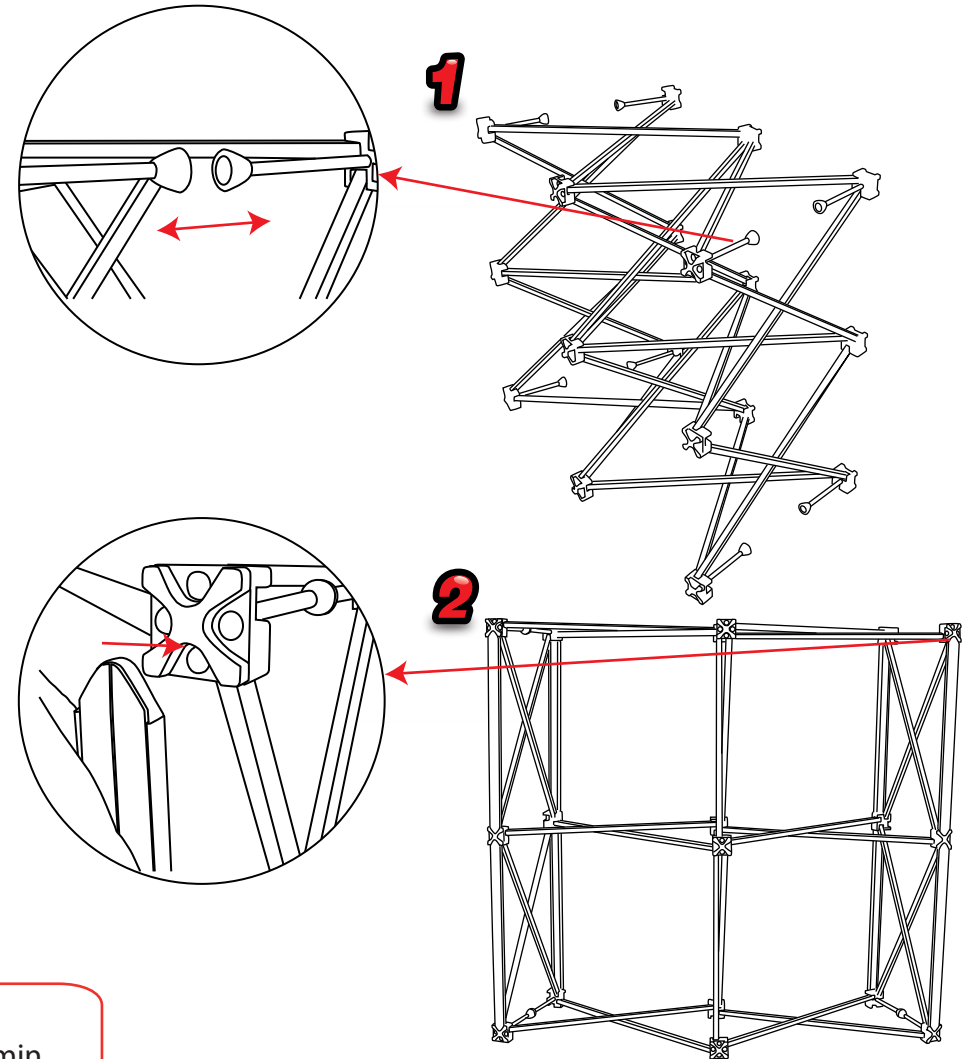


Pop up Counta

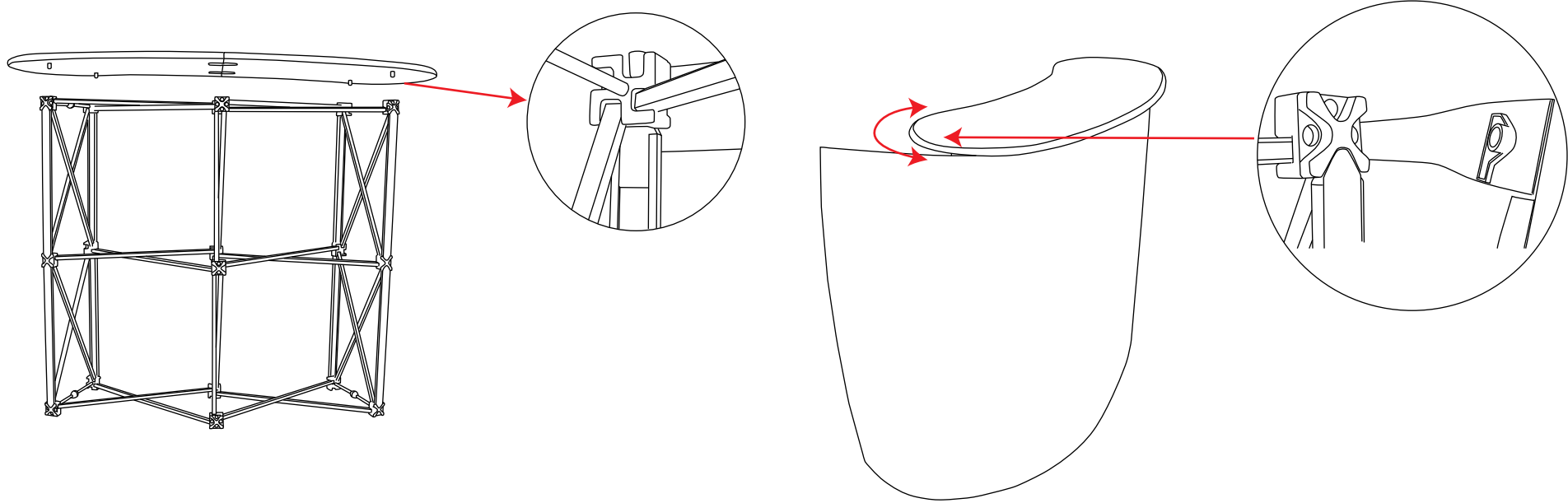


kg
Weight: 13.87kg

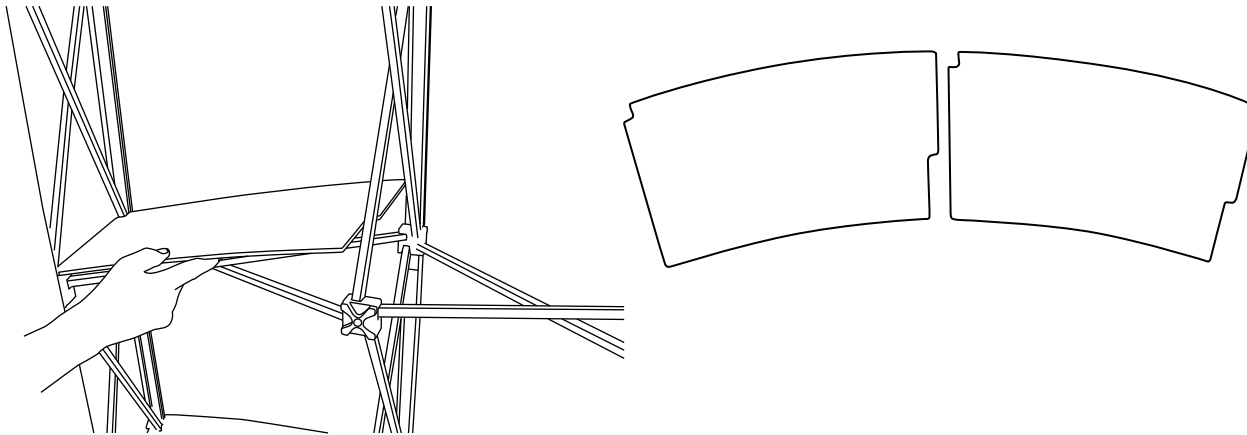


Visible Graphic Area: 950mm(h) x2060mm(w)
Recommended Graphic thicness: 440microns min

Pop up Counta



Shelf Layout



Pop up Counta

Graphic fixing

