

SPECIFICATIONS

GRAPHIC PANEL SIZES

Finished graphic panel size
830mm x 1775 / 1275 / 975mm
[Please note – 15mm at top and bottom is hidden by hanger]

Visual graphic area
800mm x 1775 / 1275 / 975mm

Graphic panel thickness
500 micron

WEIGHTS AND DIMENSIONS

Assembled size

Post and base: 1020 [h] x 370mm [diameter]
Base height: 30mm
Centre of post to centre of post: 2000mm /
1500mm / 1200mm
Height to top of upper cross bar: 955mm
Height to bottom of lower cross bar: 100mm

Boxed size

Post [box 1]: 1040 [h] x 115 [w] x 115 [d] mm
Post [box 2]: 375 [h] x 360 [w] x 45 [d] mm
2000mm cross bar:
1985 [h] x 100 [w] x 50 [d] mm
1500mm cross bar:
1485 [h] x 100 [w] x 50 [d] mm
1200mm cross bar:
1185 [h] x 100 [w] x 50 [d] mm

Boxed weight

Post: 18.0kg [combined weight of box 1 and 2]
2000mm cross bar: 4.0kg
1500mm cross bar: 3.25kg
1200mm cross bar: 2.50kg

COMPONENT LIST

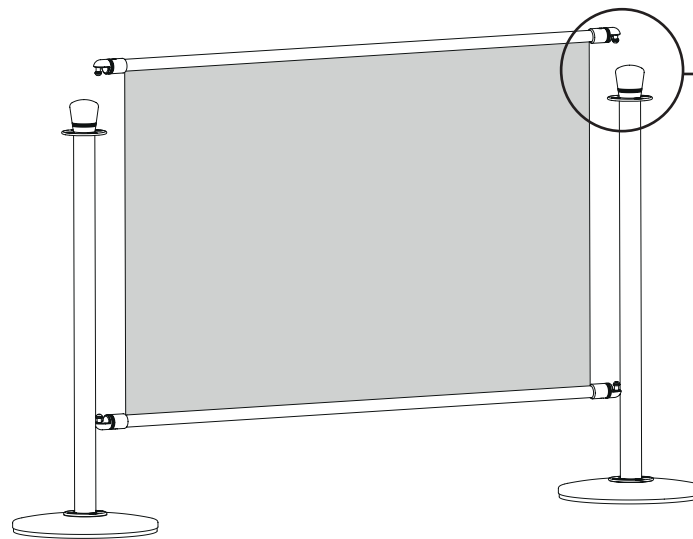
2 x Assembled post
2 x Base inc. cover
2 x Cross bar
Allen key

UK Patent Application
No.: 0920341.5

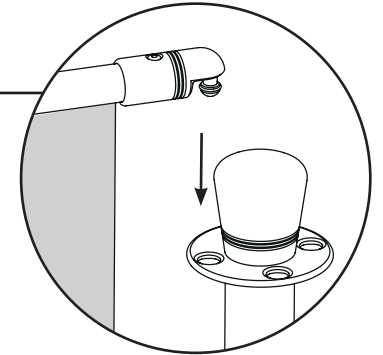


CAFÉ BARRIER – ASSEMBLY INSTRUCTIONS

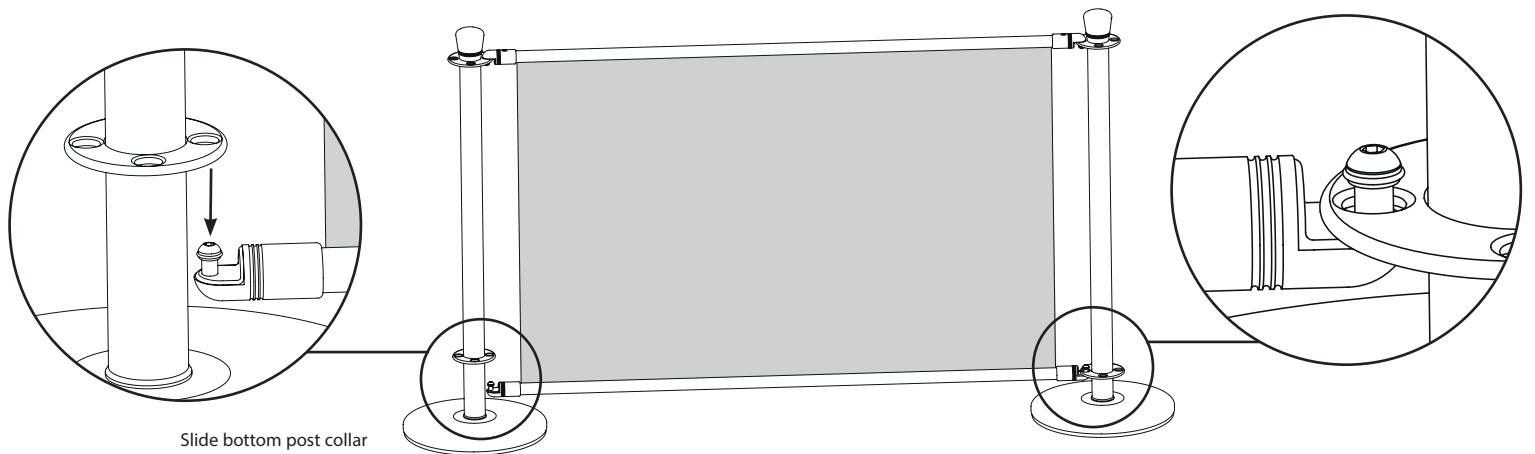
1 Attach top cross arms to posts



Cross bar end fits into hole in post collar. Cross bar end locks into position by pushing flexible tab past collar.



2 Attach bottom cross arms to posts



Slide bottom post collar onto bottom cross arm.

SPECIFICATIONS

GRAPHIC PANEL SIZES

Finished graphic panel size
830mm x 1775 / 1275 / 975mm
[Please note – 15mm at top and bottom is hidden by hanger]

Visual graphic area
800mm x 1775 / 1275 / 975mm

Graphic panel thickness
500 micron

WEIGHTS AND DIMENSIONS

Assembled size

Post and base: 1020 [h] x 370mm [diameter]

Base height: 30mm

Centre of post to centre of post: 2000mm / 1500mm / 1200mm

Height to top of upper cross bar: 955mm

Height to bottom of lower cross bar: 100mm

Boxed size

Post [box 1]: 1040 [h] x 115 [w] x 115 [d] mm

Post [box 2]: 375 [h] x 360 [w] x 45 [d] mm

2000mm cross bar:

1985 [h] x 100 [w] x 50 [d] mm

1500mm cross bar:

1485 [h] x 100 [w] x 50 [d] mm

1200mm cross bar:

1185 [h] x 100 [w] x 50 [d] mm

Boxed weight

Post: 18.0kg [combined weight of box 1 and 2]

2000mm cross bar: 4.0kg

1500mm cross bar: 3.25kg

1200mm cross bar: 2.50kg

COMPONENT LIST

2 x Assembled post

2 x Base inc. cover

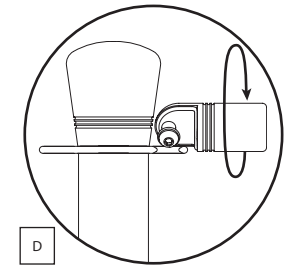
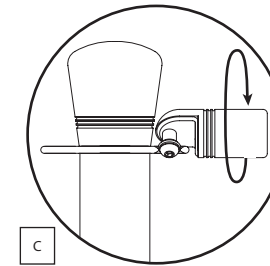
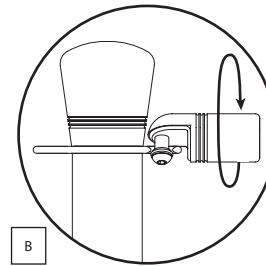
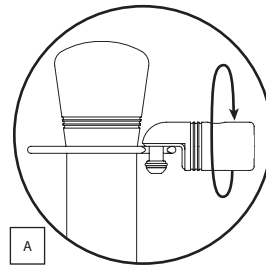
2 x Cross bar

Allen key

UK Patent Application
No.: 0920341.5

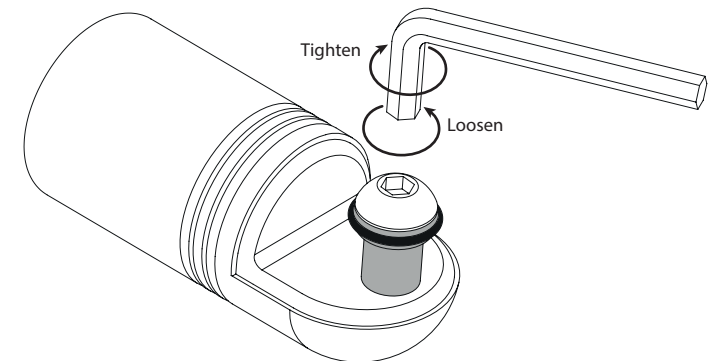
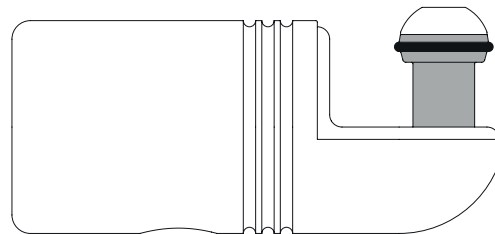
CAFÉ BARRIER – ASSEMBLY INSTRUCTIONS

3 Removal of cross arms



PLEASE NOTE

Grey parts are designed to rotate, if components are too tight or too loose, please use provided Hex Key to adjust as necessary



CAFÉ BARRIER – GRAPHIC PANEL SIZES

SPECIFICATIONS

GRAPHIC PANEL SIZES

Finished graphic panel size
830mm x 1775 / 1275 / 975mm
[Please note – 15mm at top and bottom is
hidden by hanger]

Visual graphic area
800mm x 1775 / 1275 / 975mm
Graphic panel thickness
500 micron

WEIGHTS AND DIMENSIONS

Assembled size
Post and base: 1020 [h] x 370mm [diameter]
Base height: 30mm
Centre of post to centre of post: 2000mm /
1500mm / 1200mm
Height to top of upper cross bar: 955mm
Height to bottom of lower cross bar: 100mm

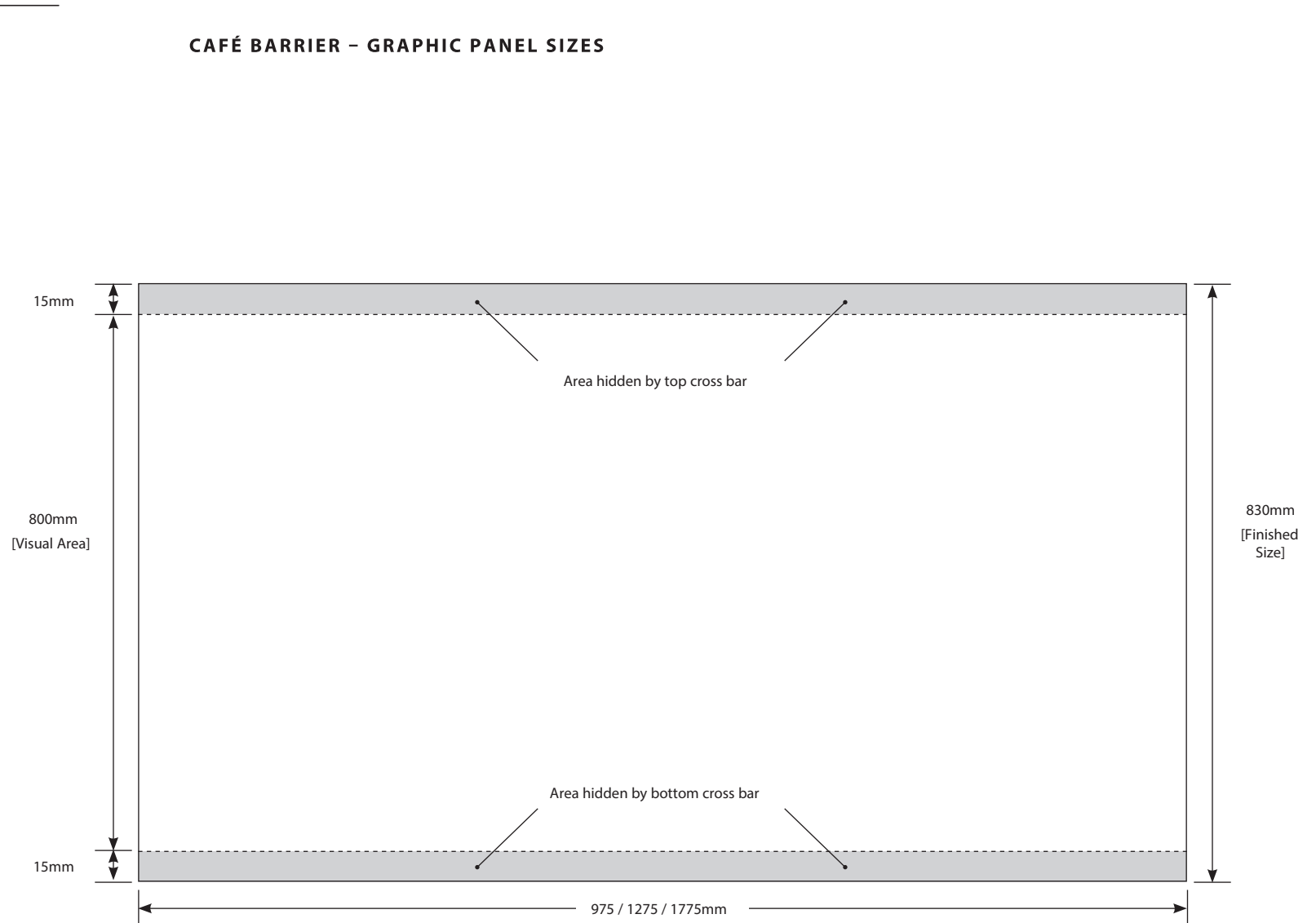
Boxed size
Post [box 1]: 1040 [h] x 115 [w] x 115 [d] mm
Post [box 2]: 375 [h] x 360 [w] x 45 [d] mm
2000mm cross bar:
1985 [h] x 100 [w] x 50 [d] mm
1500mm cross bar:
1485 [h] x 100 [w] x 50 [d] mm
1200mm cross bar:
1185 [h] x 100 [w] x 50 [d] mm

Boxed weight
Post: 18.0kg [combined weight of box 1 and 2]
2000mm cross bar: 4.0kg
1500mm cross bar: 3.25kg
1200mm cross bar: 2.50kg

COMPONENT LIST

2 x Assembled post
2 x Base inc. cover
2 x Cross bar
Allen key

UK Patent Application
No.: 0920341.5



SPECIFICATIONS

GRAPHIC PANEL SIZES

Finished graphic panel size
830mm x 1775 / 1275 / 975mm
[Please note – 15mm at top and bottom is hidden by hanger]

Visual graphic area
800mm x 1775 / 1275 / 975mm

Graphic panel thickness
500 micron

WEIGHTS AND DIMENSIONS

Assembled size

Post and base: 1020 [h] x 370mm [diameter]
Base height: 30mm
Centre of post to centre of post: 2000mm /
1500mm / 1200mm
Height to top of upper cross bar: 955mm
Height to bottom of lower cross bar: 100mm

Boxed size

Post [box 1]: 1040 [h] x 115 [w] x 115 [d] mm
Post [box 2]: 375 [h] x 360 [w] x 45 [d] mm
2000mm cross bar:
1985 [h] x 100 [w] x 50 [d] mm
1500mm cross bar:
1485 [h] x 100 [w] x 50 [d] mm
1200mm cross bar:
1185 [h] x 100 [w] x 50 [d] mm

Boxed weight

Post: 18.0kg [combined weight of box 1 and 2]
2000mm cross bar: 4.0kg
1500mm cross bar: 3.25kg
1200mm cross bar: 2.50kg

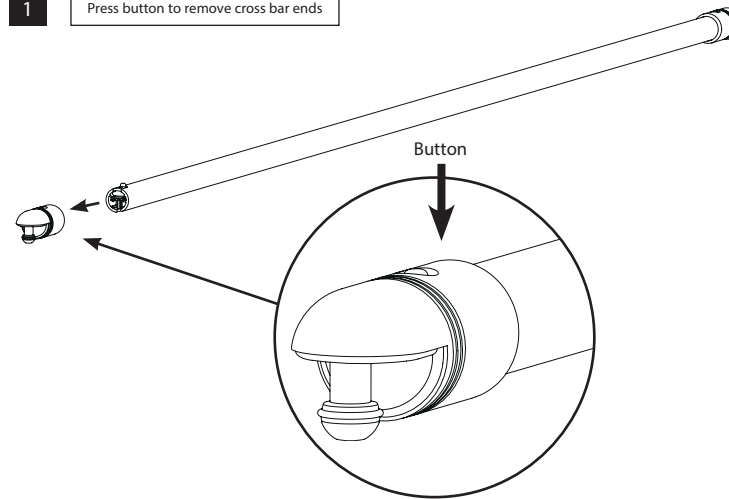
COMPONENT LIST

2 x Assembled post
2 x Base inc. cover
2 x Cross bar
Allen key

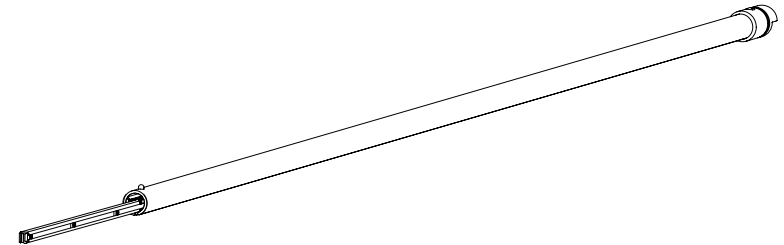
UK Patent Application
No.: 0920341.5

CAFÉ BARRIER – CROSS BAR ASSEMBLY INSTRUCTIONS

1 Press button to remove cross bar ends

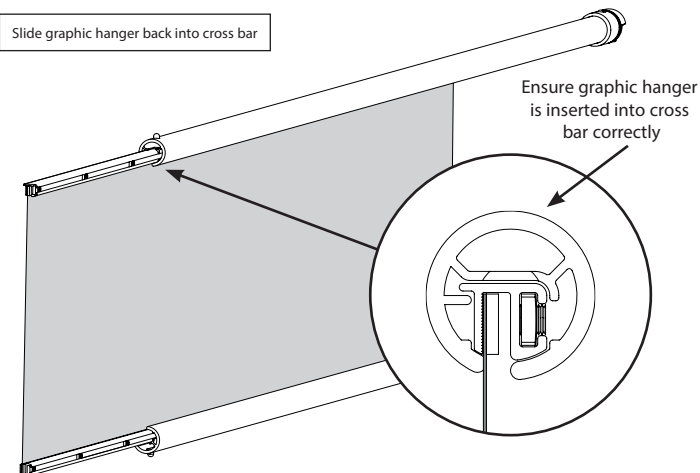


2 Slide out graphic hanger

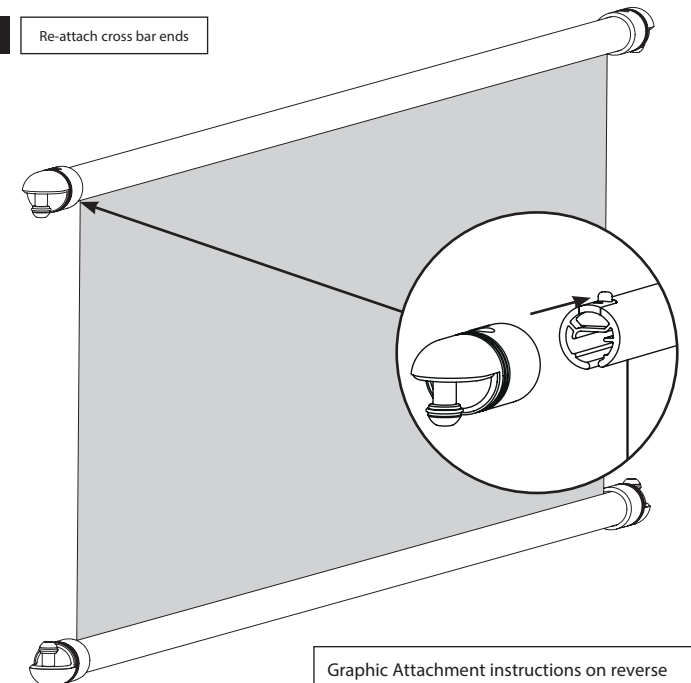


Attach graphic to hanger (see graphic attachment instructions)

3 Slide graphic hanger back into cross bar



4 Re-attach cross bar ends



Graphic Attachment instructions on reverse

CAFÉ BARRIER – GRAPHIC ATTACHMENT INSTRUCTIONS

SPECIFICATIONS

GRAPHIC PANEL SIZES

Finished graphic panel size
830mm x 1775 / 1275 / 975mm
[Please note – 15mm at top and bottom is hidden by hanger]

Visual graphic area
800mm x 1775 / 1275 / 975mm

Graphic panel thickness
500 micron

WEIGHTS AND DIMENSIONS

Assembled size

Post and base: 1020 [h] x 370mm [diameter]
Base height: 30mm
Centre of post to centre of post: 2000mm / 1500mm / 1200mm
Height to top of upper cross bar: 955mm
Height to bottom of lower cross bar: 100mm

Boxed size

Post [box 1]: 1040 [h] x 115 [w] x 115 [d] mm
Post [box 2]: 375 [h] x 360 [w] x 45 [d] mm
2000mm cross bar:
1985 [h] x 100 [w] x 50 [d] mm
1500mm cross bar:
1485 [h] x 100 [w] x 50 [d] mm
1200mm cross bar:
1185 [h] x 100 [w] x 50 [d] mm

Boxed weight

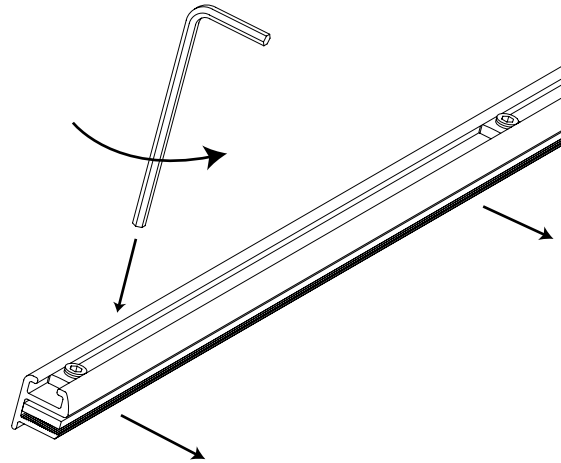
Post: 18.0kg [combined weight of box 1 and 2]
2000mm cross bar: 4.0kg
1500mm cross bar: 3.25kg
1200mm cross bar: 2.50kg

COMPONENT LIST

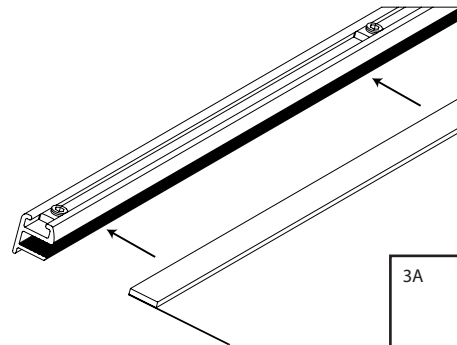
2 x Assembled post
2 x Base inc. cover
2 x Cross bar
Allen key

UK Patent Application
No.: 0920341.5

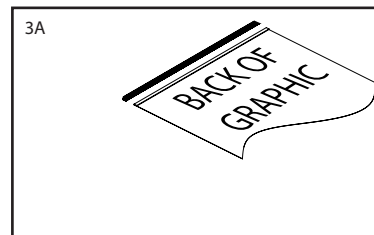
1 Undo grub screws and remove graphic guide



3 Slide graphic guide into hanger

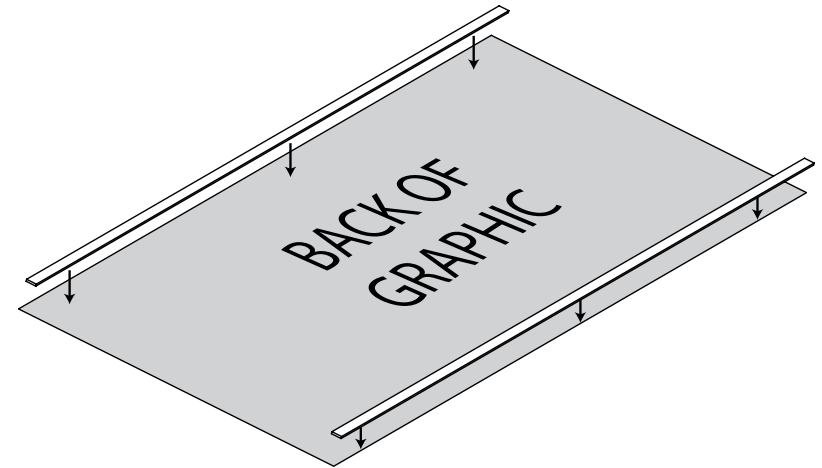


3A

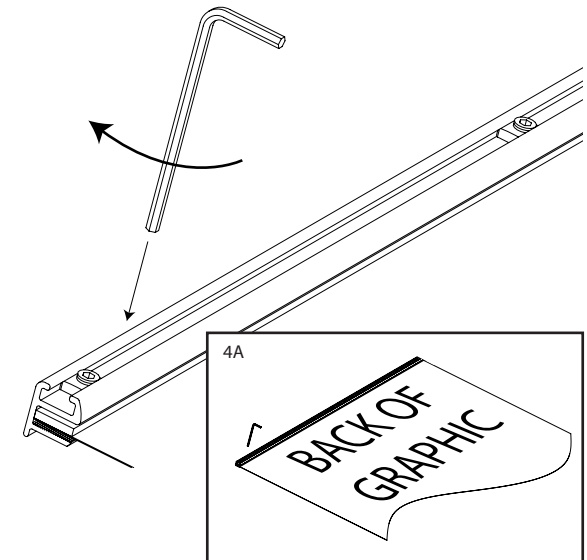


Repeat operations for bottom hanger

2 Attach self-adhesive graphic guides to rear of top and bottom edges of graphic



4 Tighten up grub screws to secure graphic



4A

Cross bar assembly instructions on reverse