



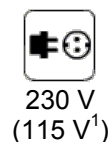
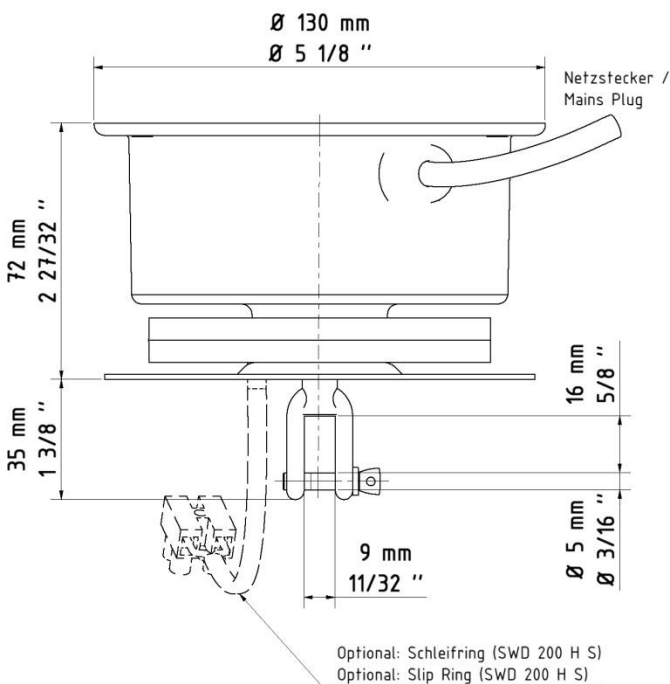
CSWDH 200 - Hanging turntable motor
With and with out slip ring versions.

**Turntable
for indoor use:**

Due to its zinc die cast housing and rotating shaft supported by double ball bearing, the SWD 200 H is a compact, universal and extremely robust turntable, suitable for indoors as a hanging unit only. The CSWD 200 H is a reliable turntable for various constructions, allowing up to 20 kg (44 lbs.) hanging load.

Features:

- zinc die cast housing
- very silent
- maintenance-free
- safety clutch
- optional: slip ring for rotating power supply max. 4 A (220-240 V = 900 W; 110 V = 440 W)





Technical Data

SWD 200 H SWD 200 H S

max. centric tensile load: 20 kg (44 lbs)
total height: 107 mm (4 7/32 ") (incl. shackle)
nominal voltage: 220 to 240 V, 50 Hz,
optional 115 V, 60 Hz
motor power consumption: 4 W
rotation speed: 2.5 rpm, rotating counterclockwise
dead weight: 1.0 – 1.2 kg

Additional Features (on demand / on surcharge):

housing white coated
country-specific plug
Second power cord to use the slip ring separately
rotation direction: clockwise
other rotating speeds
further options on request

¹Technical Information:

The rotation speed in the 60 Hertz grid (US version) is approx. 20% higher than in the 50 Hertz grid. Higher rotation speed can reduce the maximum load, so that the above mentioned characteristics are no longer valid.